

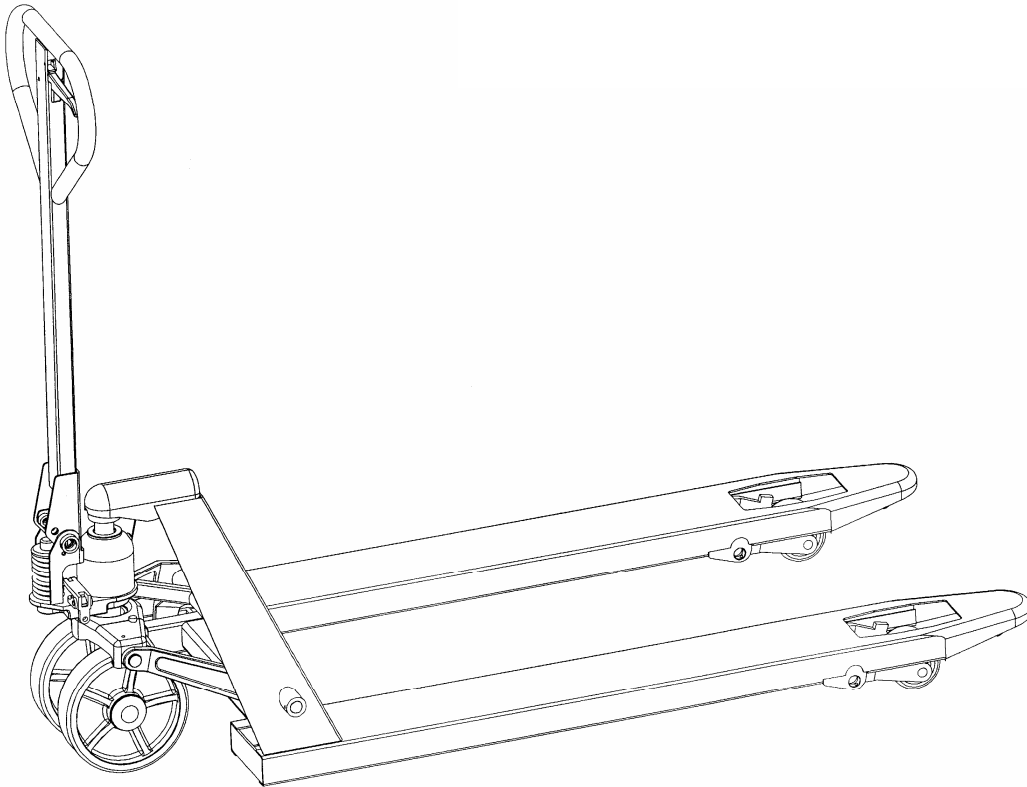
WARNING



Do not use the stacker before reading and understanding this operating instructions.

NOTE!

Keep for future reference.



Operating Instructions / Parts List

ATTENTION:

1. The waste packages should be sorted and put into solid dustbins according to the materials and be collected disposal by local special environment protection bureau. To avoid pollution, it's forbidden to throw away the wastes randomly.
2. To avoid leaking during the use of the products, the user should prepare some absorbable materials (scraps of wooden or dry duster cloth) to absorb the leaking oil in time. To avoid second pollution to the environment, the used absorbable materials should be handed in to special departments in terms of local authorities.

Thank you for choosing our pallet trucks. For your safety and correct operation, please carefully read the manual before use.

NOTE: All of the information reported herein is based on data available at the time of printing. The factory reserves the right to modify its own products at any time without notice or liability in any sanctions. Please verify with the factory for possible updates and changes .

1. GENERAL SPECIFICATIONS

Capacity (kg)	2000
Maximum Fork Height (mm)	190
Minimum Fork Height (mm)	75
Fork Length (mm)	1150 / 1220
Width Overall Forks (mm)	520 / 550 / 685
Individual Fork Width (mm)	150
Load Wheel Diameter (mm)	Ø 74x55(or Ø 74x70) Nylon, Polyurethane
Steering Wheel Diameter (mm)	Ø 180)Nylon, Polyurethane, Rubber

Special fork lengths are available in 800, 900, 950, 1000mm.

Materials and specifications are subject to change without notice.

2. ATTACHING HANDLE TO PUMP UNIT

If you have purchased a wooden box of pallet truck, some assembly is required. Certainly, you need some tools, a hammer, a pliers, a spanner, etc; and some parts, one axle with hole (66), one elastic pins (68), these parts are putted in a plastic bag, which is putted into the draw-bar.

NOTE: The number of draw-bar and pump should be the same.

When attaching the handle, you had better squat just behind the pallet truck. Then you:

2.1 Insert the draw-bar onto the pump piston (60), then use a hammer to insert the axle with hole (66) into the hydraulic pump and draw-bar.

2.2 Let control handle(8) to the '**LOWER**' position, then pass the adjusting nut(15), adjusting bolt(14) and chain(12) through the hole of axle(66) with your hand.

2.3 Press the draw-bar (10) down, take away the pin, which fix the spring.

2.4 Let the control handle (8) on '**RAISE**' position, then raise the lever plate (46) with the pin and insert the adjusting bolt(14) into the front slot of lever plate (46), note to keep the adjusting nut (15) on the under side of the lever plate.

2.5 Use a hammer to tap the elastic pin (106) into the axle with hole (66).
The draw-bar is now assembled to the pump.

3. ADJUSTING RELEASE DEVICE

On the draw-bar of this pallet truck, you can find the control handle (8) which can be adjusted in three positions :

- Raise - handle down
- Drive - handle in center position
- Lower - handle up, the lever moves back the drive position when released.

If however they have been changed, you can adjust according to the following steps:

3.1 If the forks elevate while pumping in the **DRIVE** position, turn the adjusting nut (15) on the adjusting bolt (14) or adjusting screw (47) clockwise until pumping action does not raise the forks and the **DRIVE** position functions properly.

3.2 If the forks descend while pumping in the **DRIVE** position, turn the nut (15) or adjusting screw (47) counter-clockwise until the forks do not lower.

3.3 If the forks do not descent when the control handle (8) is in the **LOWER** position, turn the nut (15) or adjusting screw(47) clockwise until raising the control handle(8) lowers the forks. Then check the **DRIVE** position according to item 3.1 and 3.2 to be sure the nut (15) or adjusting screw (47) is in the proper position.

3.4 If the forks do not elevate while pumping in the **RAISE** position, turn the nut (15) or adjusting screw(47) counter-clockwise until the forks elevate while pumping in the **RAISE** position. Then check the **LOWER** and **DRIVE** position according to item 3.1, 3.2 and 3.3.

4. MAINTENANCE

Your pallet truck is largely maintenance-free.

4.1 OIL

Please check the oil level every six months. The oil capacity is about 0.3lt. Use the hydraulic type oil according to temperature scale below.

Temperature	Oil
-20°C ~ +40°C	L-HV46 Hydraulic oil

4.2 EXPELING AIR FROM THE PUMP UNIT

The air may come into the hydraulic oil because of transportation or pump in upset position. It can cause the forks unable to elevate while pumping while in the **RAISE** position. The air may escape in the following way: let the control handle (8) on the **LOWER** position, then move the handle (10) up and down for several times.

4.3 DAILY CHECK AND MAINTENANCE

Daily check of the pallet truck can limit wear as much as possible. Special attention should be paid to wheels, axles, thread, rags, etc. It may block the wheels. The forks should be unloaded and lowered in the lowest position when the job is over.

4.4 LUBRICATION

Use motor oil or grease to lubricate all moveable parts.

5. GUIDE TO SAFETY OPERATIONS

For safe operation of the Hand Pallet Truck, please read all warning signs and instructions here and on the pallet truck prior to use.

- 5.1 Do not operate the pallet truck unless you are familiar with it and have been trained or authorized to do so.
- 5.2 Do not operate the truck unless you have been trained and authorized. Pay special attention to the wheels, the handle assembly, the forks and the lower control.
- 5.3 Do not use the truck on sloping ground.
- 5.4 Never place any part of your body in the lifting mechanism or under the forks or load. Do not carry passengers.
- 5.5 It is advisable that operators should wear gloves and safety shoes.
- 5.6 Do not handle unstable or loosely stacked loads.
- 5.7 Do not overload the truck.
- 5.8 Always place loads centrally across the forks and not at the end of the forks (See Fig. 2).
- 5.9 The capacity of the truck assumes an evenly distributed load with the center of the load being at the halfway point of the length of the forks.
- 5.10 Make sure that the length of the forks matches the length of the pallet.
- 5.11 Lower the forks to the lowest height when the truck is not being used.
- 5.12 In other specific conditions, the operators should take extra care in operating the truck.

6. TROUBLES SHOOTING

No	Trouble	CAUSE	ACTION
1	The forks can not be lifted up to the maximum height.	- The hydraulic oil is not enough.	- Pour in the oil.
2	The forks can not be lifted up.	<ul style="list-style-type: none"> ● Without hydraulic oil ● The oil has impurities ● The nut (15) is too high or the screw (47) is too close, keep the pumping valve open ● Air come into the hydraulic oil 	<ul style="list-style-type: none"> ● Fill in the oil ● Change the oil ● Adjust the nut (15) or the screw (47) .(see item 3.4) ● Banish the air.(see item 4.2)
3	The forks can not be lowered.	<ul style="list-style-type: none"> ● The piston rod (60) or pump body is deformed resulting from partial loading slanting to one side or over-loading. ● The fork was kept in the high position for long time with piston rod bared to arise in rusting and jamming of the rod. ● The adjusting nut (15) or the screw (47) is not in the correct position 	<ul style="list-style-type: none"> ● Replace the piston rod (60) or pump body ● Keeping the fork in the lowest position if not using, and pay more attention to lubricate the rod ● Adjust the nut (15) or the screw (47). (see item 3.3)
4	Leaks	<ul style="list-style-type: none"> ● Sealing parts worn or damaged ● Some part cracked or worn into small 	<ul style="list-style-type: none"> ● Replace with the new one ● Replace with the new one
5	The forks towers without the release valve working.	<ul style="list-style-type: none"> ● The impurities in the oil cause the release valve to be unable to close tight. ● Some parts of hydraulic system is cracked or bored. ● Air come into the oil. ● Sealing parts worn or damaged ● The adjusting nut (15) or the screw (47) is not in the correct position 	<ul style="list-style-type: none"> ● Replace with new oil ● Inspect and replace the waste parts ● Banish the air.(See item 4.2) ● Replace with the new one ● Adjusting the nut (15) or the screw (47). (See item 3.2)

***NOTE: DO NOT ATTEMPT TO REPAIR THE PALLET TRUCK UNLESS YOU ARE TRAINED AND AUTHORIZED TO DO SO.**

Fig.1

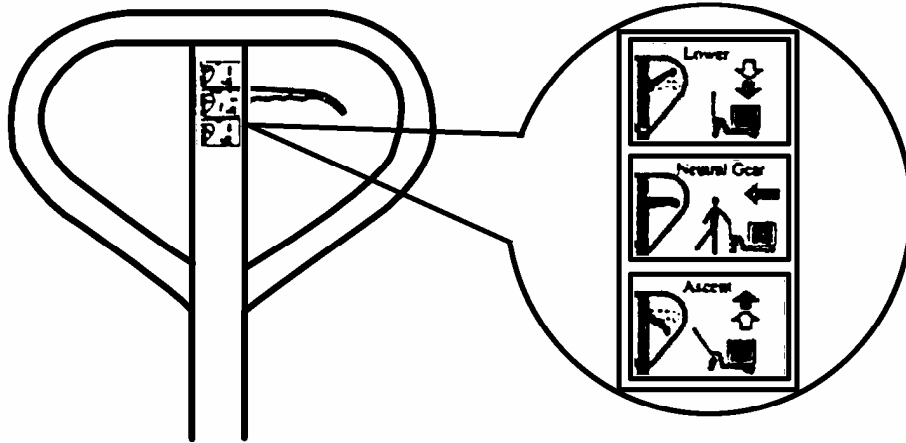
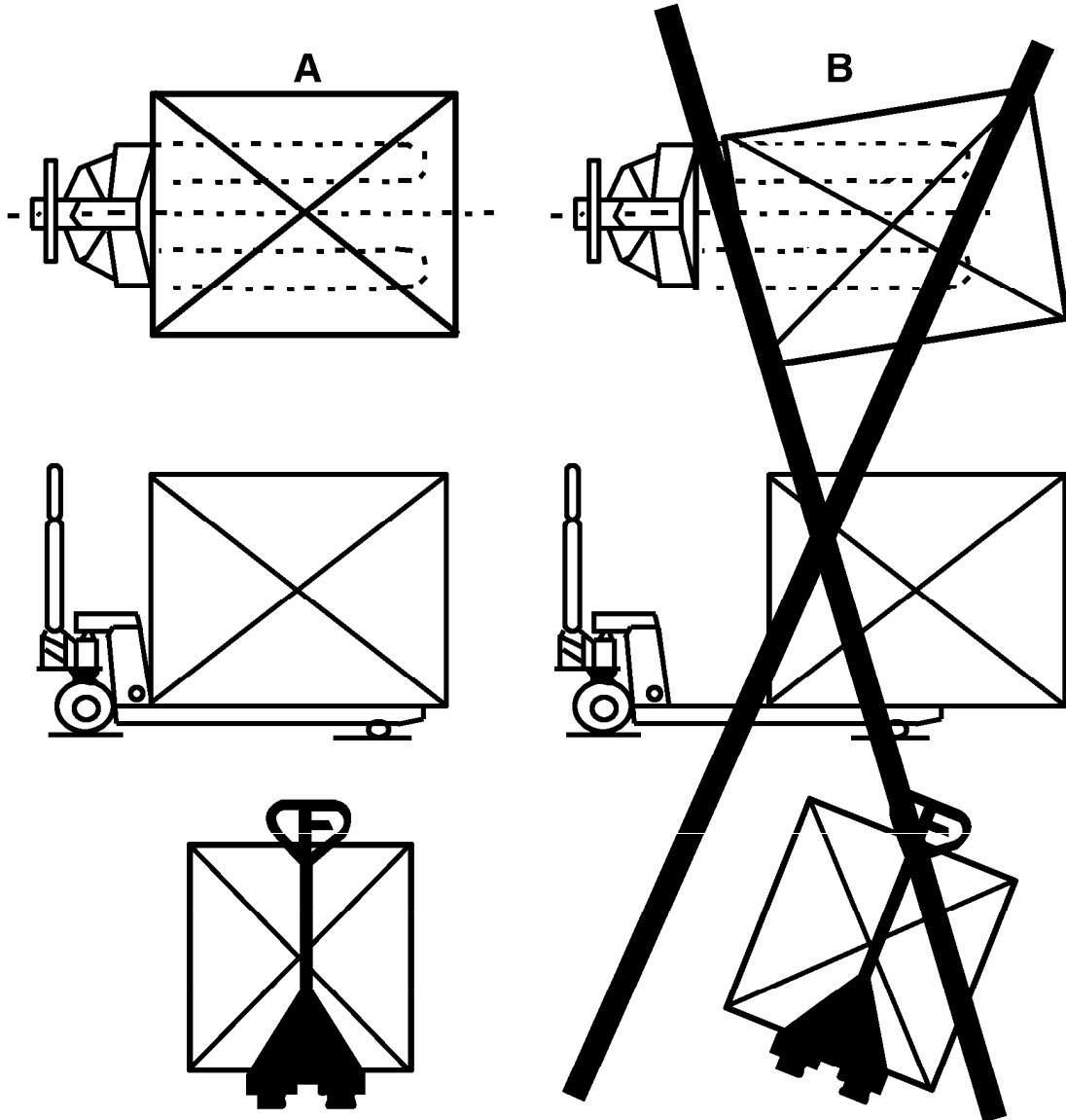
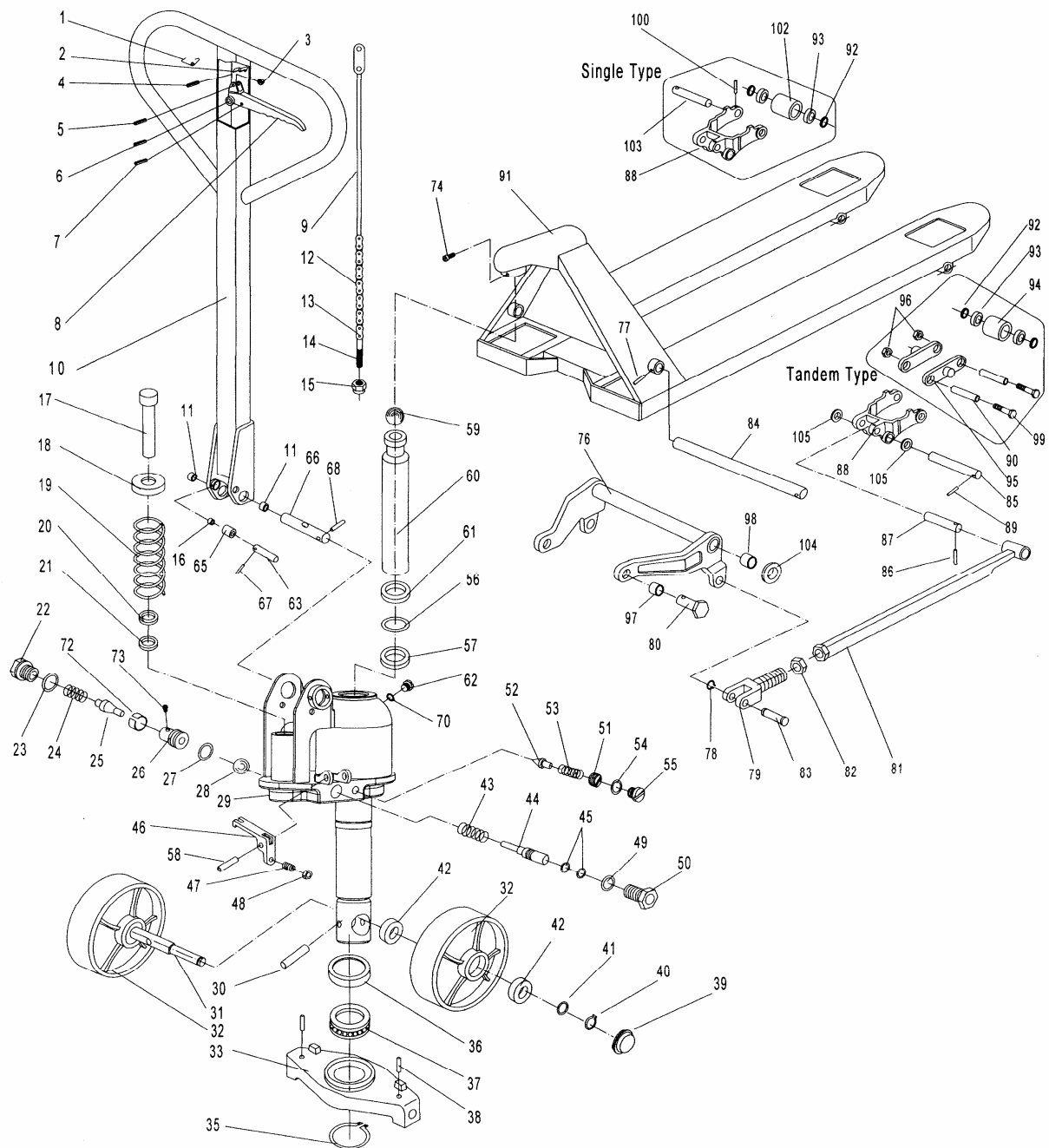


Fig.2





No.	Description	Qty.	No.	Description	Qty.		
1	D601	Spring	1	12	D612	Chain	1
2	D602	Blade Spring	1	13	D613	Pin	1
3	D603	Roller	1	14	D614	Adjusting Bolt	1
4	D604	Elastic Pin	1	15	D615	Adjusting Nut	1
5	D605	Elastic Pin	1	16	D156	Bushing	1
6	D606	Elastic Pin	1	63	D150E	Shaft	1
7	D607	Elastic Pin	1	65	D152	Pressure Roller	1
8	D608	Control Handle	1	66	D153E	Shaft	1
9	D609	Pull Board	1	67	D154E	Elastic Pin	1
10	D610E	Handle	1	68	D155E	Elastic Pin	1
11	D611E	Bushing	2				
17	D101	Pump Piston Rod	1	42	D127	Bearing	4
18	D102	Washer	1	43	D129	Spring	1
19	D103	Spring	1	44	D130	Strike Pin	1
20	D104	Dust Ring	1	45	D131	O – Ring	2
21	D105	Y – Seal	1	46	D132	Lever Plat	1
22	D106B	Screw	1	47	D133	Adjusting Screw	1
23	D107B	O – Ring	1	48	D134	Nut	1
24	D108	Spring	1	49	D135	O – Ring	1
25	D109	Spindle of Pumping Valve	1	50	D136	Axle Sleeve	1
26	D110B	Seat of Pumping Valve	1	51	D137	Adjusting Bolt	1
27	D111B	O – Ring	1	52	D139	Spindle of Safety Valve	1
28	D112	Steel Ball	1	53	D140	Spring	1
29	D113E	Base of Pump	1	54	D141	O – Ring	1
30	D115	Elastic Pin	1	55	D142	Screw	1
31	D116	Steering Wheel	2	56	D143E	O – Ring	1
32	D117D	Shaft of Steering Wheel	1	57	D144E	Y – Seal	1
33	D118E	Thrust Plate	1	58	D145	Elastic Pin	1
35	D120E	Retaining Ring	1	59	D146	Steel Ball	1
36	D121E	Cover of Bearing	1	60	D147E	Piston Rod	1
37	D122E	Bearing	1	61	D148E	Dust Ring	1
38	D123E	Elastic Pin	2	62	D149	Screw	1
39	D124	Dust Cover	2	70	D157	Seal Washer	1
40	D125D	Retaining ring	2	72	D159B	Sleeve	1
41	D126D	Tab Washer	2	73	D160B	Screw	1
74	D201E	Screw	1	90	D217E#	Shaft sleeve for Roller	4
75				91	D218E	Fork Frame	1
76	D203E	Rock – arm	1	92	D219	Washer	8 or 4
77	D204E	Elastic Pin	1	93	D220	Bearing	8 or 4
78	D205E	Retaining Ring	2	94	D221E#	Loading Roller	4
79	D206E	Joint	2	95	D222E#	Linking Plate	4
80	D207E	Shaft	2	96	D223E#	Nut	4
81	D208E	Pushing Rod	2	97	D224	Bushing	2
82	D209E	Nut	2	98	D225E	Bushing	2
83	D210E	Pin	2	99	D226E	Bolt	4
84	D211E	Shaft	1	100*	D227E	Elastic Pin	2
85	D212E	Shaft	2	101			
86	D213E	Elastic Pin	2	102	D229E*	Loading Roller	2
87	D214E	Shaft	2	103	D230E*	Shaft for Roller	2
88	D215E	Frame of Roller	2	104	D231E	Washer	2
89	D216E	Elastic Pin	2	105	D232E	Washer	4

(Note # --For Tandem wheel, * --For single wheel)