

ER A20 & ER D20



The Easy Roller for Most Effortless Travelling Operations

INTRODUCTION

The Easy Roller makes with its mechanically powered drive travelling operations most effortless and safe.

Once the mechanically drive is engaged by oscillating up-and down- movements of the tiller the truck accelerates with a minimum of operational forces.

The function can be engaged to both direction and can be over driven. For safety in each opposite direction the drive works as a parking brake in one direction.

Horizontal transportation of heavy loads becomes easy and safe.

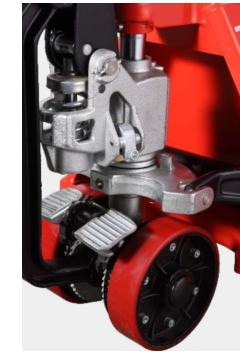
- **Robust and durable**
The trucks robust and durable design enlarges service intervals.
- **Short and maneuverable**
In most confined areas the truck makes the operations fast, safe and effortless.
- **Robust and durable pump with fine control of lowering speed, low maintenance.**
- **Options of tandem or single load wheels with entry rollers or not.**



▲ **Oscillation movements**
Easy oscillation movements of the tiller reduces the operational forces to a minimum.

▲ **Brake function and ramps**
If the mechanical drive is engaged in one direction, a brake function is applied into the other direction. On inclines this function is a obvious advantage: No downside rolling of the truck.

▲ **This function also helps a lot if the truck is used on tail lifts or for battery exchange systems.**



▲ **Mechanical Drive**
The mechanical drive for effortless acceleration with heavy loads. The drive can be engaged into both direction and has also a rest position.

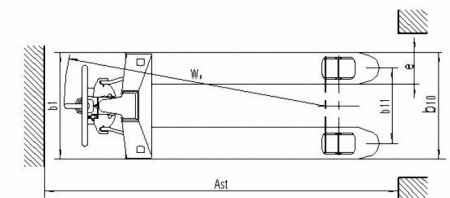
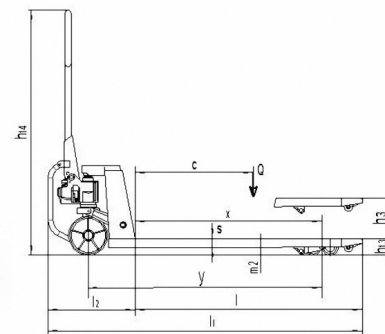
▶ **Application Video**

Please find the application video for the Easy Roller at <http://www.noblelift.com>



Type		ER A20	ER D20
Load capacity	Q(t)	2.0	2.0
Service weight	kg	78 ¹⁾	72 ¹⁾
Tyre size, front	mm	180x50	180x50
Tyre size, rear (single/tandem)	mm	80x93/80x70 (74x93/74x70)	80x93/80x70 (74x93/74x70)
Wheels nr. front, rear		2/4	2/4
Fork height, Max.	h13(mm)	200(190)	200(190)
Height of tiller (max.)	h14 (mm)	1230	1230
Fork height, Min.	h3(mm)	85(75)	85(75)
Overall length	l1 (mm)	1600	1590
Fork dimensions	s/e/l (mm)	50/160/1150 ²⁾	60/160/1150 ²⁾
Distance between forks	b5 (mm)	540/ 685	540/ 685

¹⁾ For truck 540x1150mm, with Pu steer wheel and double PU fork rollers
²⁾ L= 800/ 900/ 1000/ 1220/1500/1800 /2000mm optional



Hand Pallet Truck
NEW