

**NOBLELIFT**

# **N**EW MODEL RANGE



# PT20 25N/PS12 16 20N

## Powered Pallet Trucks / Powered Stackers



NOBLELIFT



High Speed  
& Efficiency



High  
Maneuverability



Best Cost-Performance  
Ratio

NEW *Noblelift Products*  
ARRIVAL



The new model range of short-tiller trucks introduced by Noblelift has combined all the experience gained by the manufacturer over past years. By using of the most advanced solutions and top level components, the new range is ready to provide the top level of performance to its users.

During the design stage, several priorities and various details were considered and verified such as improvement of the service life and performance of our trucks, easy maintenance as well as confirmation of interchangeability of components not only within model range, but also with other ranges of Noblelift products.

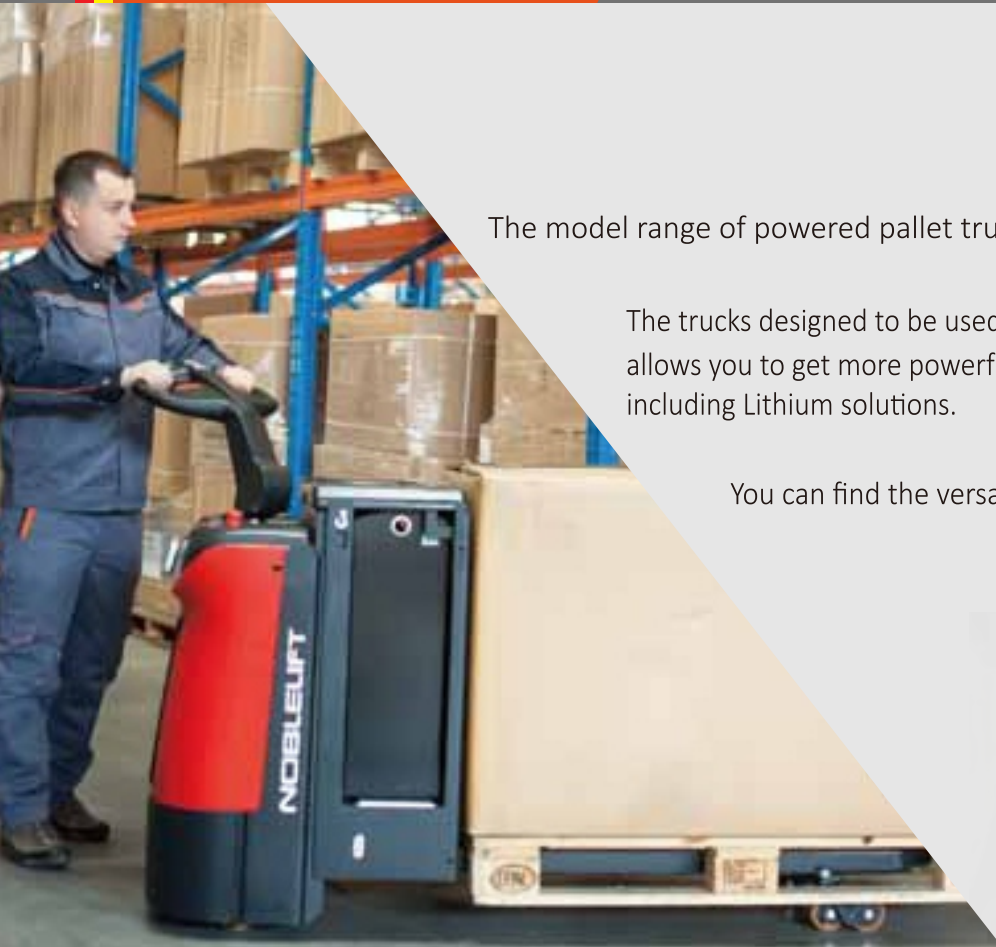
The experience of Noblelift shows that the use of top brand components from well-known suppliers not only helps to improve reliability, but also gain trust from our customers and put the products to a new level. That is why nearly all key components used for the model range are coming from famous brands with rich experience in material handling industry.

## Powered Pallet Trucks

The model range of powered pallet trucks includes machines with capacities of **2000 kg** and **2500 kg**.

The trucks designed to be used with **high efficiency** even during their multi-shift operation. The configuration of the trucks allows you to get more powerful and productive units thanks to its **increased speed** and different options of batteries, including Lithium solutions.

You can find the versatile and **flexible** N series a handy choice for almost all your needs.



Configure the truck based on your application need

| COST                       |   |     | Performance |        |
|----------------------------|---|-----|-------------|--------|
| PTB 20/25 N                |   |     | PT 20N      | PT 25N |
| Load Capacity / rated load | Q | (t) | 2.0         | 2.5    |

|  |     |      |                        |                    |
|--|-----|------|------------------------|--------------------|
| Aisle width for pallets 1000X1200 lengthways | Ast | (mm) | 2290 <sup>2)3)</sup>   | 2395 <sup>3)</sup> |
| Turning radius                               | Wa  | (mm) | 1585 <sup>1)2)3)</sup> | 1690 <sup>2)</sup> |

|                              |  |      |         |         |
|------------------------------|--|------|---------|---------|
| Travel speed, laden/ unladen |  | km/h | 7.5/8.0 | 6.0/7.0 |
|------------------------------|--|------|---------|---------|

\*1) Load section lowered:+65mm; 2) With side battery removal: + 30 mm;  
3) With compact platform: + 440 mm



## Powered Stackers

The range of stackers includes the wide list of models with capacity from **1200 kg** to **2000 kg** and **lifting height up to 5500 mm**.

One of the key features of stacker range lies in the **compact design** and **structure**: who else can provide the similar configuration with the same maneuverability?

**Four point structure** allows to reduce the width of truck without sacrificing its stability and residual capacity. New model range of stackers can go through narrow aisles without any problem.

There is no doubt that our customers can enjoy **comfort of operation** in tight areas and improved speed on long distances with these models.



### COST

PSB 12/16/20N

### Performance

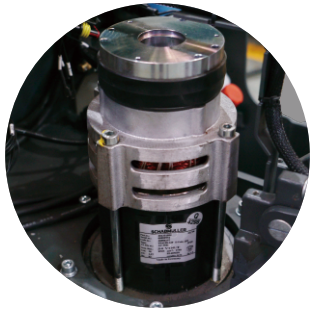
PS 12N

PS 16N

PS 20N

|   | Q      | (t)  | 1.2                 | 1.6                 | 2.0                 |
|---|--------|------|---------------------|---------------------|---------------------|
| Load Capacity / rated load                  | Q      | (t)  | 1.2                 | 1.6                 | 2.0                 |
| Lift height(up to)                          | h3+h13 | (mm) | <b>3620</b>         | <b>5520</b>         | <b>4620</b>         |
| Aisle width for pallets 800X1200 lengthways | Ast    | (mm) | 2250 <sup>*1)</sup> | 2290 <sup>*1)</sup> | 2420 <sup>*1)</sup> |
| Turning radius                              | Wa     | (mm) | 1380 <sup>*1)</sup> | 1420 <sup>*1)</sup> | 1550 <sup>*1)</sup> |
| Travel speed, laden/ unladen                |        | km/h | 7.0/8.0             | <b>6.0/7.0</b>      | 6.0/7.0             |

\*1) With compact platform: + 440 mm



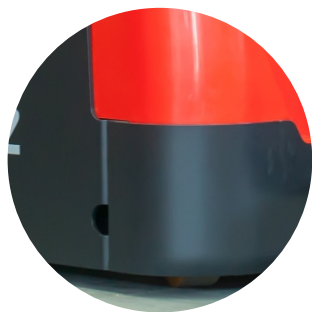
**Powerful AC-drive unit** from the global industry leaders: the AC driving motor designed and produced by **Schabmuller** comes together with the top quality **ZF** gearbox and it is equipped with **Intorq** electromagnetic brake. The drive unit can provide the drive speed up to **8 km/h**. The use of top level quality **drive wheels** from German manufacturers **Rader Vogel or Wicke** helps to ensure the **long life time** of PU tires.

The **driving controllers and steering controllers** are manufactured by **Zapi (Italy)** - the leading European brand with long history in the industry, which provides extremely reliable and flexible solutions with high performance level of the control system



The model range can be equipped with the **option of Electric Power Steering (EPS)** which delivers precise and fast control for the position of steering wheel and has a high level of reliability as well as safety according to official standards.

**Rema tiller** delivers high level of **ergonomics** as well as **reliability** of control system. In addition, the tiller ensures a long life-time thanks to the contactless rocker switches designed for lifting/lowering function .



The use of apron with **8 mm thickness** allows to ensure the **robustness** of chassis and its **strength** even in case of collision against objects. The strong **battery cover** made out of **steel** helps to provide a high level of strength for this part.

The **integrated design of operator's platform and protective arms** as well as totally new internal structure allows to ensure the smallest body length of the stackers and provide **extremely low turning radius** among competitors. Together with this, the suspension system for the platform helps to provide the **high level of comfort** to operators.





The **option of PIN-code panel** access, which works not only with PIN-code but also with **access cards (RFID)**, can significantly simplify the procedure of access limitation for the fleet which may be used by more than one operator.

The **option of built-in charger** may help to simplify charging processes for the customers using the trucks not so intensively (without multi-shift operation connected with necessity of battery replacement)

The **option of side battery replacement** allows customers to use the truck with **multi-shift operation** and not to waste time on complicated procedure of battery replacement through the top. With help of specially designed trolley, the batteries can be replaced fast and effortlessly.



The trucks can be equipped with the **option of Aquamatic**- the system of fast refilling of distilled water in lead-acid batteries. The 2-ton pallet truck can be **optionally** equipped with the **battery under 3VBS standard**, which helps to reduce the length of the original truck and makes it more compact (the standard battery is 2PzS)

The model range can be equipped with **Lithium batteries**. The use of lithium solution from Noblelift will allow you to enjoy benefits of Lithium technology such as **Fast charging, Opportunity charging, Maintenance free, Environmental-friendly, Smart Diagnosis of battery status, Lower cost of Total Ownership with long service life.**



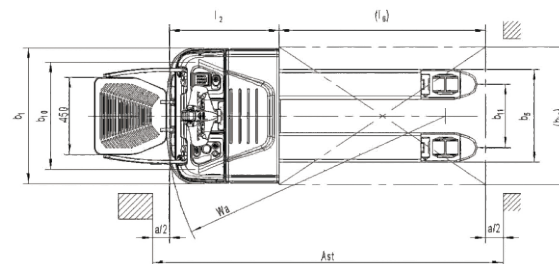
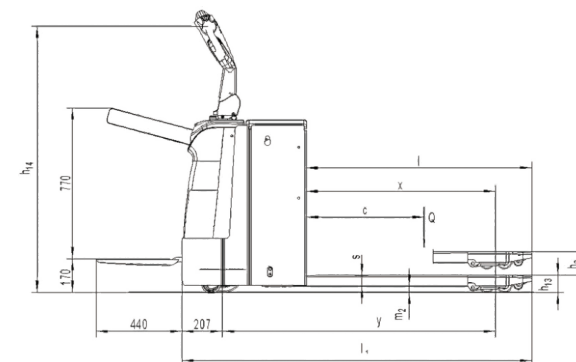
The feature of **proportional hydraulic\*control** realized with help of solution from the top leading manufacturer of hydraulic solutions **HPI** allows to ensure precise positioning of forks during lifting and lowering as well as to provide smooth acceleration/deceleration of forks and gentle handling of fragile goods.

← \*For PS xx N only

## Type sheet for industrial truck acc. to VDI 2198

1KG=2.2LB 1INCH=25.4MM

|                     |  |   | PT 20N                | PT 25N   |  |
|---------------------|--|---|-----------------------|--|--|
| Distinguishing mark | 1.2  | Manufacturer's type designation               |                       |  |  |
|                     | 1.3  | Power (battery ,diesel, petrol, gas, manual)  | Battery               |  |  |
|                     | 1.4  | Operator type                                 | Pedestrian/Stand      |  |  |
|                     | 1.5  | Load Capacity / rated load                    | Q (t)                 | 2.0  | 2.5                                      |
|                     | 1.6  | Load centre distance                          | c (mm)                | 600  | 600                                      |
|                     | 1.8  | Load distance ,centre of drive axle to fork   | x (mm)                | 892 <sup>1)</sup>                              | 892 <sup>1)</sup>                        |
| Weight              | 1.9  | Wheelbase                                     | y (mm)                | 1330 <sup>1) 2)</sup>                          | 1435 <sup>1)</sup>                       |
|                     | 2.1  | Service weight                                | kg                    | 620  | 770                                      |
|                     | 2.2  | Axle loading, laden front/rear                | kg                    | 1110/1510                                      | 1370/1900                                |
|                     | 2.3  | Axle loading, unladen front/rear              | kg                    | 500/120  | 610/160                                  |
| Tyres, chassis      | 3.1  | Tires   | Polyurethane (PU)     |  |  |
|                     | 3.2  | Tire size, front                              | Øx w (mm)             | 210X70   |  |
|                     | 3.3  | Tire size, rear                               | Øx w (mm)             | 84X84  |  |
|                     | 3.4  | Additional wheels(dimensions)                 | Øx w (mm)             | 100x40   |  |
|                     | 3.5  | Wheels,number front/ rear(x=driven wheels)    |                       | 1x+2/4   |  |
|                     | 3.6  | Tread, front                                  | b10 (mm)              | 560  |  |
|                     | 3.7  | Tread, rear                                   | b11 (mm)              | 367/512  |  |
| Dimensions          | 4.4  | Lift  | h3 (mm)               | 120  |  |
|                     | 4.9  | Height of tiller in drive position min./ max. | h14 (mm)              | 950/1350                                       |  |
|                     | 4.15   | Height, lowered                               | h13 (mm)              | 85   |  |
|                     | 4.19   | Overall length                                | l1 (mm)               | 1790 <sup>2) 3)</sup>                          | 1895                                     |
|                     | 4.20   | Length to face of forks                       | l2 (mm)               | 640 <sup>2) 3)</sup>                           | 745 <sup>3)</sup>                        |
|                     | 4.21   | Overall width                                 | b1 (mm)               | 790  |  |
|                     | 4.22   | Fork dimensions                               | s/e/l (mm)            | 55/173/1150                                    |  |
|                     | 4.25   | Distance between fork- arms                   | b5 (mm)               | 540/685  |  |
|                     | 4.32   | Ground clearance, centre of wheelbase         | m2 (mm)               | 30   |  |
|                     | 4.34   | Aisle width for pallets 800X1200 lengthways   | Ast(mm)<br>Ast (mm)   | 2400 <sup>2) 3)</sup><br>2290 <sup>2) 3)</sup> | 2505 <sup>3)</sup><br>2395 <sup>3)</sup> |
| 4.35                | Turning radius                               | Wa (mm)                                       | 1585 <sup>2) 3)</sup> | 1690 <sup>3)</sup>                             |  |
| Performance data    | 5.1  | Travel speed, laden/ unladen                  | km/h                  | 7.5/8.0  | 6.0/7.0                                  |
|                     | 5.2  | Lift speed, laden/ unladen                    | m/s                   | 0.025/0.030                                    | 0.035/0.045                              |
|                     | 5.3  | Lowering speed, laden/ unladen                | m/s                   | 0.030/0.025                                    | 0.045/0.050                              |
|                     | 5.8  | Max. gradeability, laden/ unladen             | %                     | 8/15   |  |
| Electric- Motor     | 5.10   | Service brake                                 | Electromagnetic       |  |  |
|                     | 6.1  | Drive motor rating S2 60min                   | kW                    | 1.4  |  |
|                     | 6.2  | Lift motor rating at S3 10%                   | kW                    | 0.8  | 2.2                                      |
|                     | 6.3  | Battery acc. to DIN 43531/ 35/ 36 A, B, C, no |                       | /  | /  |
|                     | 6.4  | Battery voltage, nominal capacity K5          | V/Ah                  | 24/160-210                                     | 24/270-350                               |
|                     | 6.5  | Battery weight                                | kg                    | 155  | 235                                      |
| Additional data     | 6.6  | Energy consumption acc. to VDI cycle          | kWh/h                 | 0.55   | 1.65                                     |
|                     | 8.1  | Type of drive control                         | AC -Speed Control     |  |  |
| 8.4                 | Sound level at driver's ear acc. to EN 12053 | dB(A)   | 69                    |  |  |



1)Load section lowered: +65 mm; 2)With side battery removal: + 30 mm; 3)With unfolded platform: + 440 mm

## Type sheet for industrial truck acc. to VDI 2198 1tKG=2.2LB 11INCH=25.4MM

|                     |  | PS 12N(3600)                                  | PS 16N(5500) | PS 20N(4600) |
|---------------------|--|---|--------------|--------------|
| Distinguishing mark | 1.2  | Manufacturer's type designation               |              |              |
|                     | 1.3  | Power (battery ,diesel, petrol, gas, manual)  |              |              |
|                     | 1.4  | Operator type                                 |              |              |
|                     | 1.5  | Load Capacity / rated load                    |              |              |
|                     | 1.6  | Load centre distance                          |              |              |
| Weight              | 1.7  | Load distance, centre of drive axle to fork   |              |              |
|                     | 1.9  | Wheelbase                                     |              |              |
|                     | 2.1  | Service weight                                |              |              |
|                     | 2.2  | Axle loading, laden front/rear                |              |              |
|                     | 2.3  | Axle loading, unladen front/rear              |              |              |
| Tires, chassis      | 3.1  | Tires   |              |              |
|                     | 3.2  | Tire size, front                              |              |              |
|                     | 3.3  | Tire size, rear                               |              |              |
|                     | 3.4  | Additional wheels (dimensions)                |              |              |
|                     | 3.5  | Wheels, number front/rear(x=driven wheels)    |              |              |
|                     | 3.6  | Track, front                                  |              |              |
|                     | 3.7  | Track, rear                                   |              |              |
| Dimensions          | 4.2  | Lowered mast height                           |              |              |
|                     | 4.3  | Free Lift height                              |              |              |
|                     | 4.4  | Lift height(up to)                            |              |              |
|                     | 4.5  | Extended mast height                          |              |              |
|                     | 4.9  | Height of tiller in drive position min./ max. |              |              |
|                     | 4.15   | Height, lowered                               |              |              |
|                     | 4.19   | Overall length                                |              |              |
|                     | 4.20   | Length to face of forks                       |              |              |
|                     | 4.21   | Overall width                                 |              |              |
|                     | 4.22   | Fork dimensions                               |              |              |
|                     | 4.25   | Distance between fork-arms                    |              |              |
| Performance data    | 4.32   | Ground clearance, centre of wheelbase         |              |              |
|                     | 4.33   | Aisle width for pallets 1000X1200 crossways   |              |              |
|                     | 4.34   | Aisle width for pallets 800X1200 lengthways   |              |              |
|                     | 4.35   | Turning radius                                |              |              |
|                     | 5.1  | Travel speed, laden/ unladen                  |              |              |
|                     | 5.2  | Lift speed, laden/ unladen                    |              |              |
|                     | 5.3  | Lowering speed, laden/ unladen                |              |              |
|                     | 5.8  | Max. gradeability, laden/ unladen             |              |              |
|                     | 5.10   | Service brake                                 |              |              |
|                     | 6.1  | Drive motor rating S2 60min                   |              |              |
| Electric- engine    | 6.2  | Lift motor rating at S3 10%                   |              |              |
|                     | 6.3  | Battery acc. to DIN 43531/35/36 A, B, C, no   |              |              |
|                     | 6.4  | Battery voltage, nominal capacity K5          |              |              |
|                     | 6.5  | Battery weight                                |              |              |
| Additional data     | 6.6  | Energy consumption acc. to VDI cycle          |              |              |
|                     | 8.1  | Type of drive control                         |              |              |
| 8.4                 | Sound level at driver's ear acc. to EN 12053 |   |              |              |

1)With compact platform: + 440 mm

## Mast table Ps12 16 20N

| Designation                           | Lowered mast height h1 (mm) | Free lift height h2 (mm) | Lift height h3 (mm) | Extended mast height h4(mm) | Lift+fork height h3+h13(mm) |
|---------------------------------------|-----------------------------|--------------------------|---------------------|-----------------------------|-----------------------------|
| <b>PS12 N</b>                         |                             |                          |                     |                             |                             |
| Two stage mast                        | 1958                        | —                        | 2830                | 3380                        | 2920                        |
|                                       | 2108                        | —                        | 3130                | 3680                        | 3220                        |
|                                       | 2308                        | —                        | 3530                | 4080                        | 3620                        |
| Two stage mast FFL (Full-Free-Lift)   | 1958                        | 1410                     | 2830                | 3380                        | 2920                        |
|                                       | 2108                        | 1560                     | 3130                | 3680                        | 3220                        |
|                                       | 2308                        | 1760                     | 3530                | 4080                        | 3620                        |
| <b>PS16 N</b>                         |                             |                          |                     |                             |                             |
| Two stage mast                        | 1958                        | —                        | 2830                | 3380                        | 2920                        |
|                                       | 2108                        | —                        | 3130                | 3680                        | 3220                        |
|                                       | 2308                        | —                        | 3530                | 4080                        | 3620                        |
| Two stage mast FFL (Full-Free-Lift)   | 1958                        | 1410                     | 2830                | 3380                        | 2920                        |
|                                       | 2108                        | 1560                     | 3130                | 3680                        | 3220                        |
|                                       | 2308                        | 1760                     | 3530                | 4080                        | 3620                        |
| Three stage mast                      | 2008                        | —                        | 4230                | 4780                        | 4320                        |
|                                       | 2108                        | —                        | 4530                | 5080                        | 4620                        |
|                                       | 1908                        | 1320                     | 3930                | 4480                        | 4020                        |
| Three stage mast FFL (Full-Free-Lift) | 2008                        | 1420                     | 4230                | 4780                        | 4320                        |
|                                       | 2108                        | 1520                     | 4530                | 5080                        | 4620                        |
|                                       | 2343                        | 1756                     | 5230                | 5780                        | 5320                        |
|                                       | 2410                        | 1800                     | 5430                | 6110                        | 5520                        |
| <b>PS20 N</b>                         |                             |                          |                     |                             |                             |
| Two stage mast                        | 2078                        | —                        | 2830                | 3500                        | 2920                        |
|                                       | 2228                        | —                        | 3130                | 3800                        | 2920                        |
|                                       | 2428                        | —                        | 3530                | 4200                        | 3620                        |
| Two stage mast FFL (Full-Free-Lift)   | 1978                        | 1310                     | 2630                | 3300                        | 2720                        |
|                                       | 2078                        | 1410                     | 2830                | 3500                        | 2920                        |
|                                       | 2228                        | 1560                     | 3130                | 3800                        | 3220                        |
| Three stage mast                      | 2428                        | 1760                     | 3530                | 4200                        | 3620                        |
|                                       | 2128                        | —                        | 4230                | 4900                        | 4320                        |
|                                       | 2228                        | —                        | 4530                | 5200                        | 4620                        |
| Three stage mast FFL (Full-Free-Lift) | 1978                        | 1310                     | 3930                | 4600                        | 4020                        |
|                                       | 2128                        | 1420                     | 4230                | 4900                        | 4320                        |
|                                       | 2228                        | 1520                     | 4530                | 5200                        | 4620                        |

