

PT 20/25/30H PT20H PLUS

High-speed Logistic Center Special Version Lithium-ion Pallet Truck

H series is the special developed to meet the demand and characteristics of logistics and leasing industry. A variety of models can satisfy the working condition of heavy transport environment, such as PT20H/PT20HPLUS/PT25H/PT30H. 2000/2500/3000 kg load capacity, the highest speed of 12 km/h with high efficiency and it is suitable for long-distance transportation.

The battery doesn't rise when operating. It lowers energy consumption and makes the battery working time longer.

The drive system is with load-assisted pressure-adjust system, which improves the service life of the drive wheels and decreases the cost of using sliding frame and pull rod structure. The service life of structure is longer and the maintenance is more convenient and lower cost.

Standard high-performance lithium-ion batteries. The battery can be charged fast and there is no need for the maintenance. Moreover, it also has longer service life. Remote control module and the battery heating system are optional.

Rich model selection. H series are suitable for all kinds of working condition of demand. All trucks have electrical steering in this series that makes the operation flexible and easily except 20HPLUS.



NOBLELIFT

www.noblelift.com

PT 20/25/30H PT20H PLUS

High-speed Logistic Center Special Version Lithium-ion Pallet Truck



NOBLELIFT CHINA

Add:528 Changzhou Road,Taihu Sub-district,
Changxing, Zhejiang 313100 China
Tel:86-572-6210817 6210311
Fax:86-572-6210777 6128612
Email:info@noblelift.com
Http:www.noblelift.com www.noblelift.cn



Official website



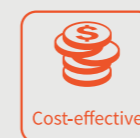
Our Wechat



Robust
and Reliable



High-performance
lithium battery



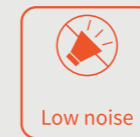
Cost-effective



Capacity
2000-2500
-3000Kg



Easy
Maintenance



Low noise

NEW *Noblelift Products*
ARRIVAL

NOBLELIFT INTELLIGENT EQUIPMENT CO., LTD

Standard high-performance lithium battery

Comparison of Lithium Battery & Lead Acid

Model	Lithium battery	Lead-acid batteries
Cycle life	2000-4000cycles	300-500cycles
Safe	Green and pollution-free	corrosion, pollution
Charging time	<2h	Above8h
Power conversion rate	Power conversion rate >97%	Power conversion rate ≤80%
Volume	Small size: 2/3 of the volume of lead-acid batteries	Big
Weight	Light weight: 1/3~1/4 of lead-acid batteries	heavy
Maintenance-free	Maintenance free	Distilled water or acid solution needs to be added regularly
Powerful	Stable voltage output, low self-weight, strong power	The voltage in the first half is high, the voltage in the second half is low, and the power is attenuated when the voltage is low
Memory effect	No memory effect, can be charged and discharged at any time	Has memory (affects battery life)

FAST CHARGING

Charge your battery whenever and wherever you need

The unique fast-charging feature of lithium battery makes it an ideal choice for multi-shift work. Comparing with traditional lead-acid battery, it is no longer needed to change batteries among shifts, or prepare stand-by battery and special charging area for Li-ion powered trucks. Fast charging allows charging at interval from operations which extends greatly the working time of truck. In addition, lithium battery has no memory of charging cycles which will not affect the life time at all. The lithium charger is no longer required to be placed in a specified area due to the environment-friendly feature of lithium battery, which brings much higher flexibility.



ENVIRONMENT-FRIENDLY *High cost performance*

The Lithium battery is more environment-friendly. There is no acid evaporation, odor and pollution during the charging process. The operation of Li-ion powered trucks are relatively quiet and zero carbon dioxide emissions. Therefore, Li-ion powered trucks is an ideal plan for the industry that has environment concern, such as food processing, chemical and pharmaceutical industry.

Each lithium truck requires only one battery attributing to its fast charging feature no matter how many work shifts. Life time of lithium battery is three times that of lead acid battery. The maintenance-free feature of lithium battery gives much higher cost performance than lead-acid battery.

SAFETY *Efficient, Maintenance-free*

The power lithium battery system is composed of high-safety high-density lithium iron phosphate battery, intelligent battery management system (BMS), thermal management system, and automotive-grade DC high-voltage control system. BMS enables the communication network between the power lithium battery and controller, the truck itself, the charger and the remote management platform, real-time detection of the status of the lithium battery, the operating state of the truck and the charging state, so as to maximize the safety and reliability of lithium batteries.



PT 20/25/30H, PT 20H PLUS
Foldable Platform



PT 20/25/30H, PT 20H PLUS
Enclosed fixed Platform



PT 20/25/30H, PT 20H PLUS
Fixed Platform

Fast, efficient and flexible

The highest speed of fast, efficient, super power motor can race up to 12 km/h unloaded, 9 km/h fully load. Easy and convenient to get on and off with comfortable operation. You can choose three different platform model according to different working scenarios.



Reliable control system and intelligent tiller with great ergonomic. In addition, the non-contact hoisting and falling plate switch extend the service life of the handle.



Multi-function LCD instrument shows the battery power, alarm, fault code, running time and speed information, etc.



A variety of security measures such as emergency button, reverse button on tiller, and tiller push emergency stop ensure the operator's safety.

Reliable performance, easy maintenance



AC drive system:

Powerful AC drive system to ensure high performance and low maintenance cost of the truck. Does not roll back on the ramp.

EPS electric power steering, automatically slow down:

The standard electric power steering makes operation convenient and effortless. Truck in the process of steering will automatically slow down. Under the condition of high speed, it can avoid roll-back or tip-lover to ensure the safety of the operator.

Five points structure:

The whole truck uses five points structure, equipped with high-performance stability wheels on both sides. Drive system with suspended pressurized structure to prevent drive slippage, sharply reduce the impact, and risk of tip-over of the truck during high speed turning.

Robust and durable design:

The truck is specially developed for the logistics industry. Therefore, it is robust and durable and suitable for heavy duty material handling operations.

Truck fork lifting adopts frame type structure and double rod structure with high strength and easy maintenance.



Open the battery cover, you can see the controller debugging connection of the Lithium-ion battery. Don't need to remove the cover. Convenient and high efficiency.



Type sheet for industrial truck acc. to VDI2198

Distinguishing mark

1.2	Manufacturer's type designation	PT 20H			PT 20H PLUS			PT 25H			PT 30H		
		Foldable Platform	Enclosed fixed Platform	Fixed Platform	Foldable Platform	Enclosed fixed Platform	Fixed Platform	Foldable Platform	Enclosed fixed Platform	Fixed Platform	Foldable Platform	Enclosed fixed Platform	Fixed Platform
1.3	Drive	Battery			Battery			Battery			Battery		
1.4	Operator type	Stand			Stand			Stand			Stand		
1.5	Load capacity/Rated load	Q (t)			2.0			2.5			3.0		
1.6	Load center distance	c (mm)			600			600			600		
1.8	Load distance, the centre of drive axle to fork	x (mm)			895			895			895		
1.9	Wheelbase	y (mm)			1432			1432			1432		

Weight

2.1	Service weight	kg	730	800	750	730	800	750	730	800	750	730	800	750
2.2	Axle loading, laden front/rear	kg	585/145	670/140	605/145	585/145	670/140	605/145	585/145	670/140	605/145	585/145	670/140	605/145
2.3	Axle loading, unladen front/rear	kg	975/1795	1040/1790	995/1795	975/1795	1040/1790	995/1795	1085/2145	1170/2140	1105/2145	1195/2495	1260/2490	1215/2495

Tires, chassis

3.1	Tires		Polyurethane			Polyurethane			Polyurethane			Polyurethane		
3.2	Tire size, front	Øxw(mm)	Ø250X80			Ø250X80			Ø250X80			Ø250X80		
3.3	Tire size, rear	Øxw(mm)	Ø82X82			Ø82X82			Ø82X82			Ø82X82		
3.4	Additional wheels(dimensions)	Øxw(mm)	Ø124X60			Ø124X60			Ø124X60			Ø124X60		
3.5	Wheels, number front/rear(x=driven wheels)		1x+2/4			1x+2/4			1x+2/4			1x+2/4		
3.6	Tread, front	b10 (mm)	544			544			544			544		
3.7	Tread, rear	b11 (mm)	505			505			505			505		

Dimensions

4.4	Lift	h3 (mm)	120			120			120			120		
4.9	Height of tiller in drive position min./max.	h14 (mm)	1075/1375			1075/1375			1075/1375			1075/1375		
4.15	Height, lowered	h13 (mm)	85			85			85			85		
4.19	Overall length	l1 (mm)	1950	2383	2443	1950	2383	2443	1950	2383	2443	1950	2383	2443
4.20	Length to face of forks	l2 (mm)	800	1233	1293	800	1233	1293	800	1233	1293	800	1233	1293
4.21	Overall width	b1 (mm)	790			790			790			790		
4.22	Fork dimensions	s/e/l (mm)	60/180/1150			60/180/1150			60/180/1150			60/180/1150		
4.25	Width across forks	b5 (mm)	685			685			685			685		
4.32	Ground clearance, centre of wheelbase	m2 (mm)	25			25			25			25		
4.33	Aisle width for pallets 1000X1200 crossways	Ast (mm)	2530	2960	3020	2530	2960	3020	2530	2960	3020	2530	2960	3020
4.34	Aisle width for pallets 800 x1200 lengthways	Ast (mm)	2415	2845	2905	2415	2845	2905	2415	2845	2905	2415	2845	2905
4.35	Turning radius	Wa (mm)	1710	2140	2200	1710	2140	2200	1710	2140	2200	1710	2140	2200

Performance data

5.1	Travel speed, laden/unladen	km/h	9/12			9/12			8/9			6/7		
5.2	Lift speed, laden/unladen	m/s	0.035/0.048			0.035/0.048			0.030/0.048			0.030/0.042		
5.3	Lowering speed, laden/unladen	m/s	0.040/0.025			0.040/0.025			0.045/0.025			0.040/0.025		
5.8	Max. gradeability, laden/unladen	%	6/15			8/15			6/15			6/15		
5.10	Service brake		Eletromagnetic			Eletromagnetic			Eletromagnetic			Eletromagnetic		

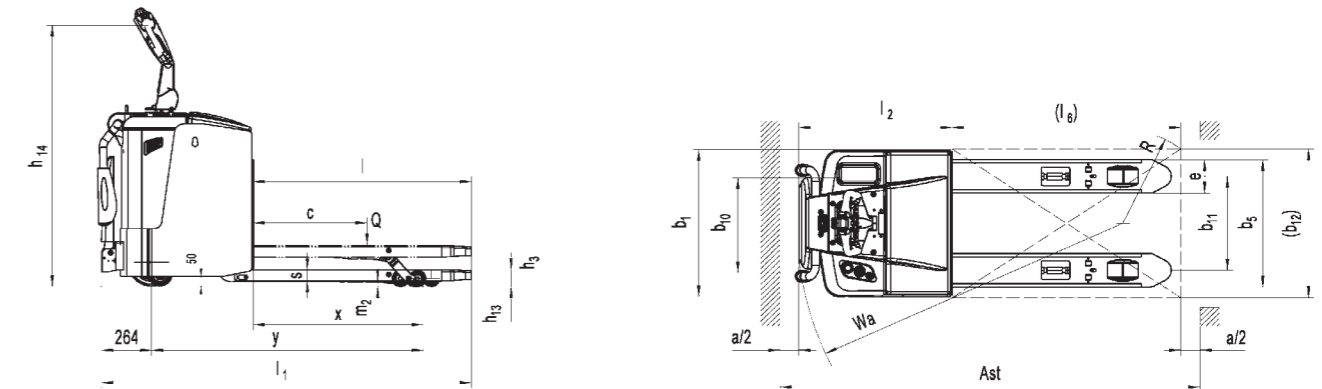
Electric engine

6.1	Drive motor rating S2 60min	kW	1.8			2.5			2.5			2.5		
6.2	Lift motor rating at S3 10%	kW	2.2			2.2			2.2			2.2		
6.3	Battery acc. to DIN 43531/35/36A,B,C,norm		/			/			/			/		
6.4	Battery voltage, nominal capacity K5	V/Ah	150/200			150/200			150/200			150/200		
6.5	Battery Weight	kg	75			75			75			75		
6.6	Energy consumption acc. to VDI cycle	KWh/h	0.55			0.65			0.75			0.65		

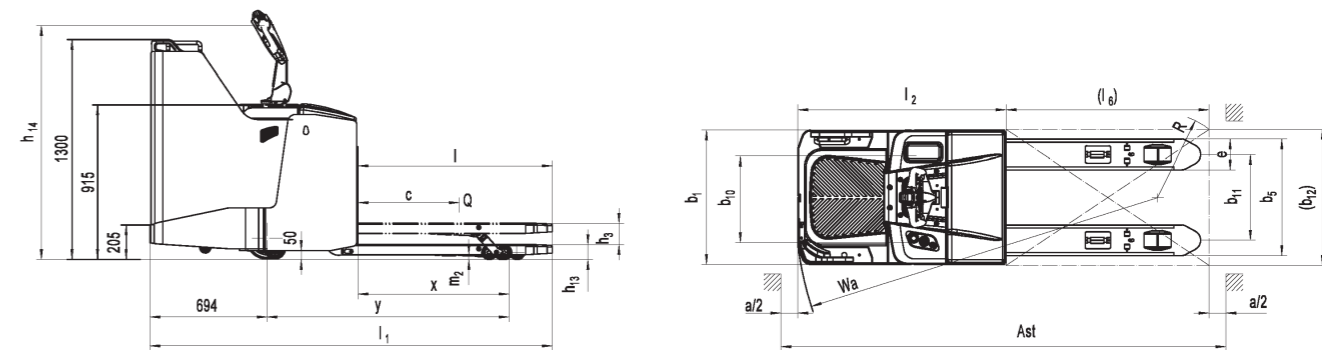
Additional data

8.1	Type of drive control		AC speed Control			AC speed Control			AC speed Control			AC speed Control		
8.4	Sound level at driver's ear acc. to EN 12053	dB(A)	69			69			69			69		

PT 20/25/30H, PT 20H PLUS Foldable Platform



PT 20/25/30H, PT 20H PLUS Enclosed fixed Platform



PT 20/25/30H, PT 20H PLUS Fixed Platform

