

8FBE(K)18T

Specifications					8FBEK18T	8FBE18T
Identification	1.1	Manufacturer			Toyota	Toyota
	1.2	Model			8FBEK18T	8FBE18T
	1.3	Drive			Electric	Electric
	1.4	Operator type			Rider seated	Rider seated
	1.5	Load capacity/rated load	Q	kg	1800	1800
	1.6	Load centre	c	mm	500	500
	1.8	Load distance, centre of drive axle to fork	x	mm	317	317
	1.9	Wheelbase	Y	mm	1413	1521
Weight	2.1	Service weight			3119	3135
	2.2	Axle load, with load, front/rear			4390/529	4391/544
	2.3	Axle load, without load, front/rear			1497/1622	1571/1564
Tyres	3.1	Tyre - pneumatic (P), pneumatic shaped cushion (SE), solid rubber (R)			SE	SE
	3.2	Tyre size, front			18x7-8	18x7-8
	3.3	Tyre size, rear			140/55 - 9	140/55 - 9
	3.5	Wheels, number front/rear (x = driven wheels)			2x/2	2x/2
	3.6	Track width, front	b ₁₀	mm	905	905
	3.7	Track width, rear	b ₁₁	mm	186,2	186,2
	Dimensions	4.1	Tilt of mast/fork carriage forward/backward	α/β	deg	5/7
4.2		Height, mast lowered	h ₁	mm	2120	2120
4.3		Free lift	h ₂	mm	115	115
4.4		Lift	h ₃	mm	3300	3300
		Lift height	h ₂₃	mm	3335	3335
4.5		Height, mast extended	h ₄	mm	3870	3870
4.7		Height of overhead guard (cab)	h ₆	mm	2055	2055
4.8		Seat height/stand height	h ₇	mm	1051	1051
4.12		Coupling height	h ₁₀	mm	543	543
4.19		Overall length	l ₁	mm	2880	2988
4.20		Length to face of forks	l ₂	mm	1880	1988
4.21		Overall width	b ₁	mm	1060	1060
4.22		Fork dimensions	s/e/l	mm	35/100/1000	35/100/1000
4.23		Fork carriage DIN 15 173, class/type A, B			IIA	IIA
4.24		Fork-carriage width	b ₃	mm	920	920
4.31		Ground clearance, with load, below mast	m ₁	mm	80	80
4.32		Ground clearance, centre of wheelbase	m ₂	mm	90	90
4.33		Aisle width for pallets 1000x1200 crossways	A _{st}	mm	3210	3318
4.34		Aisle width for pallets 800x1200 lengthways	A _{st}	mm	3331	3440
4.35		Turning radius	W _a	mm	1563	1671
4.36	Internal turning radius	b ₁₃	mm	0	0	
Performance data	5.1	Travel speed, with/without load		km/h	16/16	16/16
	5.2	Lift speed, with/without load		m/s	0,42/0,61	0,42/0,61
	5.3	Lowering speed, with/without load		m/s	0,53/0,55	0,53/0,55
	5.5	Drawbar pull, with/without load		N	4979/5126	4986/5133
	5.6	Max. drawbar pull, with/without load		N	9429/9392	9437/9399
	5.7	Gradeability, with/without load		%	15,0/22,1	15,1/24,1
	5.8	Max. gradeability, with/without load		%	20,5/22,1	20,7/24,1
	5.9	Acceleration time, with/without load		s	4,7/4,3	4,7/4,3
	5.10	Service brake			Hydraulic	Hydraulic
	Electric motor	6.1	Drive motor rating S2 60 min		kW	6x2
6.2		Lift motor rating S2 5 min		kW	11,7	11,7
6.3		Battery according to DIN 43 531/35/36 A, B, C, no			43 531A	43 531A
6.4		Battery voltage, nominal capacity K _s		V/Ah	48/550	48/660
6.5		Battery weight		kg	856	1013
6.6		Energy consumption to VDI cycle		kWh/h	4,7	5,0
Other	8.1	Type of drive control			inverter MOSFET	inverter MOSFET
	8.2	Operating pressure for attachments		bar	183	183
	8.3	Oil volume for attachments		l/min	41,3	41,3
	8.4	Sound level at the driver's ear according to EN 12 053		dB(A)	69,7	69,7

Mast dimensions and rated capacities

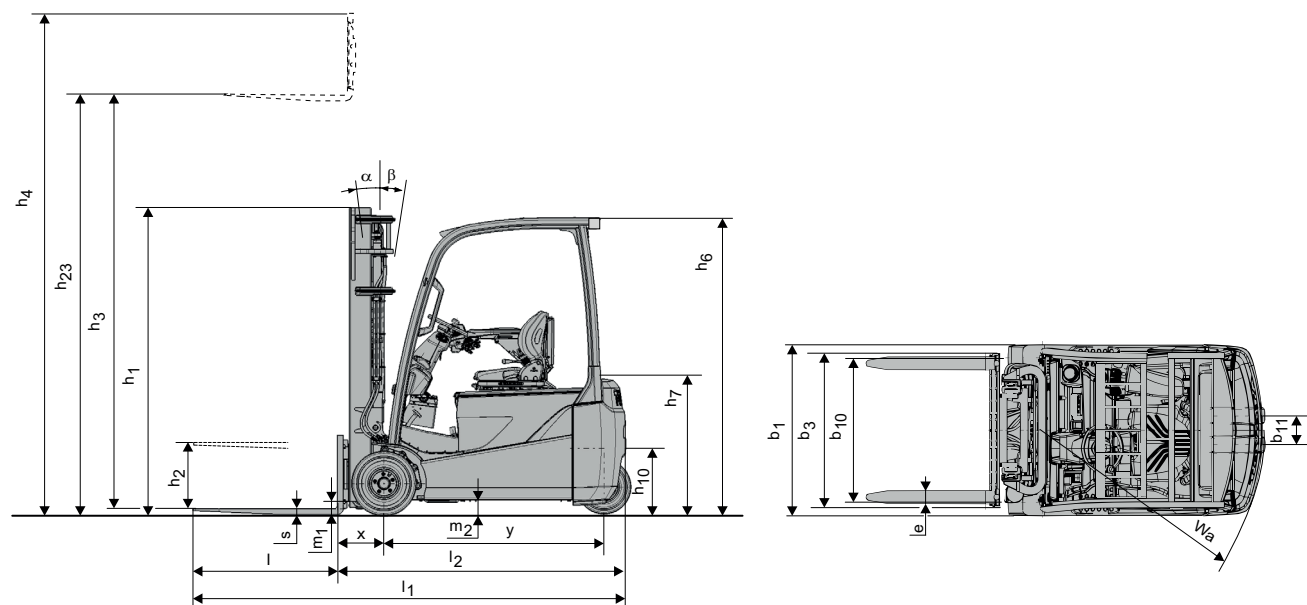
Model			V								FV				FW				FSV					FSW										
8FBEK18T/8FBE18T	Lift height	h_{23}	3035	3335	3535	3735	4035	4535	5035	3035	3335	3535	3735	3035	3335	3535	3735	4335	4535	4735	5035	5535	6035	4335	4535	4735	5035	5535	6035	6535	7035	7535		
	Lift	h_3	3000	3300	3500	3700	4000	4500	5000	3000	3300	3500	3700	3000	3300	3500	3700	3500	3700	4300	4500	4700	5000	5500	6000	4300	4500	4700	5000	5500	6000	6500	7000	7500
	Height, mast lowered	h_1	1970	2120	2220	2380	2570	2820	3070	1970	2120	2220	2380	2000	2150	2250	2350	1970	2040	2120	2220	2380	2570	1980	2050	2150	2250	2450	2600	2800	3000	3200		
	Height, mast extended ¹⁾	h_4	3570	3870	4070	4270	4570	5070	5570	3580	3880	4080	4280	3555	3855	4055	4255	4845	5045	5245	5545	6045	6545	4845	5045	5245	5545	6045	6545	7045	7545	8045		
	Height, mast extended ²⁾	h_4	4260	4560	4760	4960	5260	5760	6260	4260	4560	4760	4960	4260	4560	4760	4960	4760	4960	5560	5760	5960	6260	6760	7260	5560	5760	5960	6260	6760	7260	7760	8260	8760
	Free lift, without load backrest	h_2	80	80	80	80	80	80	80	1430	1580	1680	1840	1440	1590	1690	1790	1460	1530	1610	1710	1870	2060	1430	1500	1600	1700	1900	2050	2250	2450	2650		
Free lift, with load backrest	h_2	80	80	80	80	80	80	80	745	895	995	1155	735	885	985	1085	745	815	895	995	1155	1345	715	785	885	985	1185	1335	1535	1735	1935			

1) Without load backrest.

2) With load backrest; Height of standard load backrest is 1220 mm.

Pneumatic shaped cushion tyre			V								FV				FW				FSV					FSW									
8FBEK18T	Tilt range, forward	deg	5	5	5	5	5	5	5	5	5	5	5	5	5	5	5	5	5	5	5	5	5	5	5	5	5	5	5	5	5	5	
	Tilt range, backward	deg	7(5)	7(5)	7(5)	7(5)	7(5)	7(5)	7(5)	7(5)	7(5)	7(5)	7(5)	7(5)	7(5)	7(5)	7(5)	7(5)	7(5)	7(5)	7(5)	7(5)	7(5)	7(5)	7(5)	7(5)	7(5)	7(5)	7(5)	7(5)	7(5)	7(5)	
	Load capacity at 500 mm LC	kg	1800	1800	1800	1800	1800	1700	1600	1800	1800	1800	1800	1800	1800	1800	1800	1800	1800	1750	1720	1700	1620	1500	1350	1750	1720	1700	1620	1500	1350	1050	800
8FBE18T	Tilt range, forward	deg	5	5	5	5	5	5	5	5	5	5	5	5	5	5	5	5	5	5	5	5	5	5	5	5	5	5	5	5	5	5	
	Tilt range, backward	deg	7(5)	7(5)	7(5)	7(5)	7(5)	7(5)	7(5)	7(5)	7(5)	7(5)	7(5)	7(5)	7(5)	7(5)	7(5)	7(5)	7(5)	7(5)	7(5)	7(5)	7(5)	7(5)	7(5)	7(5)	7(5)	7(5)	7(5)	7(5)	7(5)	7(5)	
	Load capacity at 500 mm LC	kg	1800	1800	1800	1800	1800	1750	1700	1800	1800	1800	1800	1800	1800	1800	1800	1800	1800	1700	1700	1650	1650	1500	1300	1750	1700	1650	1650	1500	1300	1000	800

Data in () are for when "Cabin Series" is selected (minimum front windshield).



Underclearance		
Mast, load	mm	80
Drive axle, load	mm	81
Center of wheelbase, load	mm	90
Counterweight, no load	mm	55
Frame, load	mm	75

Frame underclearance for battery side-out model is 10 mm less than standard model.