

# 8FBMKT30, 8FBMT30, 35

Specifications					8FBMKT30	8FBMT30	8FBMT35
Identification	1.1	Manufacturer			Toyota	Toyota	Toyota
	1.2	Model			8FBMKT30	8FBMT30	8FBMT35
	1.3	Drive			Electric	Electric	Electric
	1.4	Operator type			Rider seated	Rider seated	Rider seated
	1.5	Load capacity/rated load	Q	kg	3000	3000	3500
	1.6	Load centre	c	mm	500	500	500
	1.8	Load distance, centre of drive axle to fork	x	mm	440	440	440
	1.9	Wheelbase	y	mm	1575	1720	1720
	Weight	2.1	Service weight		kg	5199	5161
2.2		Axle load, with load, front/rear		kg	7236/964	7280/881	8048/1045
2.3		Axle load, without load, front/rear		kg	2443/2756	2638/2524	2632/2961
Tyres	3.1	Tyre: C=Cushion, SE=Super elastic, PN=Pneumatic, TW=Twin			SE	SE	SE
	3.2	Tyre size, front			23x10 - 12	23x10 - 12	23x10 - 12
	3.3	Tyre size, rear			18x7 - 8	18x7 - 8	18x7 - 8
	3.5	Wheels, number front/rear (x = driven wheels)			2x/2	2x/2	2/2
	3.6	Track width, front	$b_{10}$	mm	946	946	946
	3.7	Track width, rear	$b_{11}$	mm	940	940	940
	Dimensions	4.1	Tilt of mast/fork carriage forward/backward	$\alpha/\beta$	deg	5/8	5/8
4.2		Height, mast lowered	$h_1$	mm	2395	2395	2395
4.3		Free lift	$h_2$	mm	125	125	125
4.4		Lift	$h_3$	mm	3300	3300	3300
		Lift height	$h_{23}$	mm	3345	3345	3345
4.5		Height, mast extended	$h_4$	mm	4045	4045	4045
4.7		Height of overhead guard (cab)	$h_6$	mm	2215	2215	2215
4.8		Seat height/stand height	$h_7$	mm	1143	1143	1143
4.12		Coupling height	$h_{10}$	mm	500	500	500
4.19		Overall length	$l_1$	mm	3334	3449	3479
4.20		Length to face of forks	$l_2$	mm	2334	2449	2479
4.21		Overall width	$b_1$	mm	1195	1195	1195
4.22		Fork dimensions	s/e/l	mm	45/100/1000	45/100/1000	45/125/1000
4.23		Fork carriage DIN 15 173, class/type A, B			IIIA	IIIA	IIIA
4.24		Fork-carriage width	$b_3$	mm	1070	1070	1070
4.31		Ground clearance, with load, below mast	$m_1$	mm	95	95	95
4.32		Ground clearance, centre of wheelbase	$m_2$	mm	115	115	115
4.33		Aisle width for pallets 1000x1200 crossways	$A_{st}$	mm	3674	3779	3808
4.34		Aisle width for pallets 800x1200 lengthways	$A_{st}$	mm	3872	3978	4007
4.35		Turning radius	$W_a$	mm	2032	2138	2167
4.36	Internal turning radius	$b_{13}$	mm	518	532	532	
Performance data	5.1	Travel speed, with/without load		km/h	19/20	19/20	19/20
	5.2	Lift speed, with/without load		m/s	0,40/0,55	0,40/0,55	0,37/0,55
	5.3	Lowering speed, with/without load		m/s	0,56/0,45	0,56/0,45	0,56/0,45
	5.5	Drawbar pull, with/without load		N	8900	8900	8900
	5.6	Max. drawbar pull, with/without load		N	19000	19000	19000
	5.7	Gradeability, with/without load		%	13/23	13/23	11/21
	5.8	Max. gradeability, with/without load		%	21/29	22/29	19/27
	5.9	Acceleration time, with/without load		s	4,7/4,2	4,8/4,2	4,9/4,3
	5.10	Service brake			Mechanical/hydraulic	Mechanical/hydraulic	Mechanical/hydraulic
	Electric motor	6.1	Drive motor rating S2 60 min		kW	20	20
6.2		Lift motor rating S3 15%		kW	25,5	25,5	25,5
6.3		Battery according to DIN 43 531/35/36 A, B, C, no			43536 A	43536 A	43536 A
6.4		Battery voltage, nominal capacity $K_s$		V/Ah	80/560	80/700	80/700
6.5		Battery weight		kg	1558	1863	1863
Other	8.1	Type of drive control			AC	AC	AC
	8.2	Operating pressure for attachments		bar	160	160	160
	8.3	Oil volume for attachments		l/min	40	40	40
	8.4	Sound level at the driver's ear according to EN 12 053		dB(A)	68,8	68,8	68,8

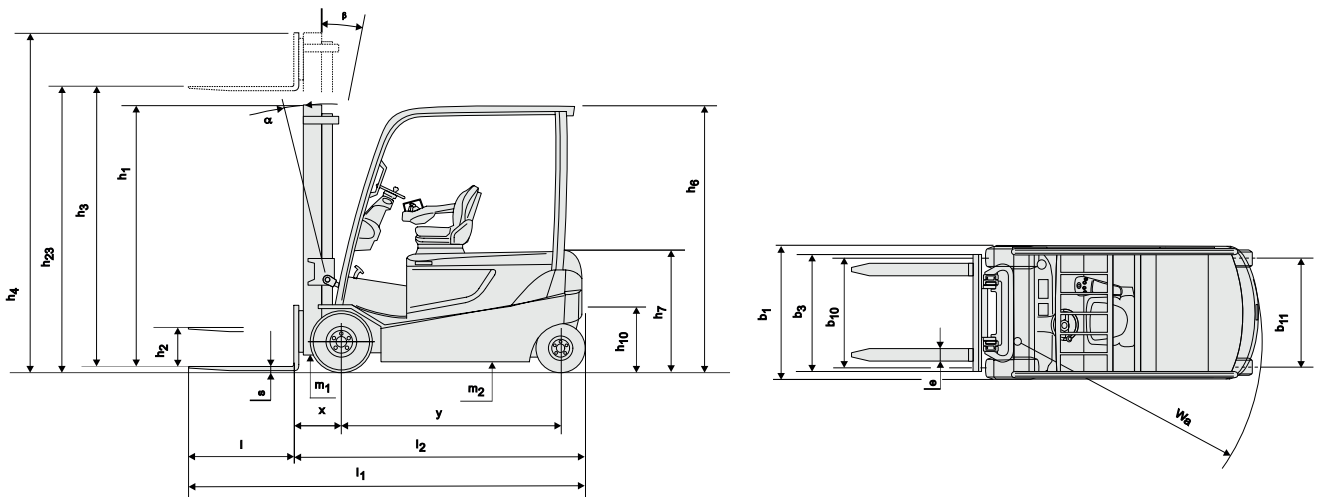
## Mast dimensions and rated capacities

Model			V					FV				FW				FSV					FSW						
8FBMKT30, 8FBMT30	Lift height	$h_{23}$	3045	3345	3745	4045	4545	3045	3345	3745	4045	3045	3345	3745	4045	4345	4745	5045	5545	6045	6545	4395	4745	5045	5545	6045	6545
	Lift	$h_3$	3000	3300	3700	4000	4500	3000	3300	3700	4000	3000	3300	3700	4000	4300	4700	5000	5500	6000	6500	4350	4700	5000	5500	6000	6500
	Height, mast lowered	$h_1$	2215	2395	2585	2835	3085	2125	2255	2585	2835	2185	2355	2555	2755	2135	2235	2395	2585	2835	3085	2185	2305	2405	2605	2755	2955
	Height, mast extended <sup>1)</sup>	$h_4$	3705	4045	4445	4745	5245	3740	4040	4440	4740	3675	3955	4355	4615	4930	5320	5630	6130	6630	7130	5005	5355	5655	6155	6655	7255
	Height, mast extended <sup>2)</sup>	$h_4$	4160	4500	4900	5200	5700	4200	4500	4900	5200	4200	4500	4900	5200	5500	5900	6200	6700	7200	7700	5550	5900	6200	6700	7200	7700
	Free lift, without load backrest	$h_2$	125	125	125	125	125	1395	1515	1845	1845	1510	1700	1900	2040	1550	1650	1810	2000	2250	2500	1530	1650	1750	1950	2100	2300
	Free lift, with load backrest	$h_2$	125	125	125	125	125	935	1055	1385	1385	985	1155	1355	1555	980	1080	1240	1430	1680	1930	985	1105	1205	1405	1555	1755
8FBMT35	Lift height	$h_{23}$	3005	3345	3745	4045	4545	3045	3345	3745	4045	3045	3345	3745	4045	4345	4745	5045	5545	6045	6545	4395	4745	5045	5545	6045	6545
	Lift	$h_3$	2960	3300	3700	4000	4500	3000	3300	3700	4000	3000	3300	3700	4000	4300	4700	5000	5500	6000	6500	4350	4700	5000	5500	6000	6500
	Height, mast lowered	$h_1$	2215	2395	2585	2835	3085	2125	2255	2585	2835	2185	2355	2555	2755	2215	2395	2585	2835	3085	3335	2185	2305	2405	2605	2755	2955
	Height, mast extended <sup>1)</sup>	$h_4$	3705	4045	4445	4745	5245	3740	4040	4440	4740	3675	3955	4355	4615	5030	5430	5730	6230	6730	7230	5005	5355	5655	6155	6655	7255
	Height, mast extended <sup>2)</sup>	$h_4$	4160	4500	4900	5200	5700	4200	4500	4900	5200	4200	4500	4900	5200	5500	5900	6200	6700	7200	7700	5550	5900	6200	6700	7200	7700
	Free lift, without load backrest	$h_2$	125	125	125	125	125	1395	1515	1845	1845	1510	1700	1900	2040	1530	1710	1900	2150	2400	2650	1530	1650	1750	1950	2100	2300
	Free lift, with load backrest	$h_2$	125	125	125	125	125	935	1055	1385	1385	985	1155	1355	1555	1060	1240	1430	1680	1930	2180	985	1105	1205	1405	1555	1755

1) Without load backrest.

2) With load backrest; Height of standard load backrest is 1200 mm.

Pneumatic shaped cushion tyre			V					FV				FW				FSV					FSW						
8FBMKT30	Tilt range, forward	deg	4,5	4,5	4,5	4,5	4,5	4,5	4,5	4,5	4,5	4,5	4,5	4,5	4,5	4,5	4,5	4,5	4,5	4,5	4,5	4,5	4,5	4,5	4,5	4,5	4,5
	Tilt range, backward	deg	8	8	8	8	6	8	8	8	8	8	8	8	8	6	6	6	6	6	6	6	6	6	6	6	6
	Load capacity at 500 mm LC	kg	3000	3000	3000	3000	3000	3000	3000	3000	3000	3000	3000	3000	3000	3000	2930	2880	2670	2165	1800	3000	2930	2880	2670	2165	1800
8FBMT30	Tilt range, forward	deg	4,5	4,5	4,5	4,5	4,5	4,5	4,5	4,5	4,5	4,5	4,5	4,5	4,5	4,5	4,5	4,5	4,5	4,5	4,5	4,5	4,5	4,5	4,5	4,5	4,5
	Tilt range, backward	deg	8	8	8	8	6	8	8	8	8	8	8	8	8	6	6	6	6	6	6	6	6	6	6	6	6
	Load capacity at 500 mm LC	kg	3000	3000	3000	3000	3000	3000	3000	3000	3000	3000	3000	3000	3000	2950	2900	2850	2670	2190	2080	2950	2900	2850	2670	2190	2080
8FBMT35	Tilt range, forward	deg	4,5	4,5	4,5	4,5	4,5	4,5	4,5	4,5	4,5	4,5	4,5	4,5	4,5	4,5	4,5	4,5	4,5	4,5	4,5	4,5	4,5	4,5	4,5	4,5	4,5
	Tilt range, backward	deg	8	8	8	8	6	8	8	8	8	8	8	8	8	6	6	6	6	6	6	6	6	6	6	6	6
	Load capacity at 500 mm LC	kg	3500	3500	3500	3500	3500	3300	3300	3300	3300	3300	3300	3300	3300	3500	3500	3440	3320	2790	2250	3500	3500	3440	3320	2790	2250



Underclearance		
Mast, load	mm	95
Drive axle, load	mm	125
Steer axle, no load	mm	122
Center of wheelbase, load	mm	115
Counterweight, no load	mm	97

Underclearance at center of wheelbase is 7 mm lower for battery side out model.