

VX series

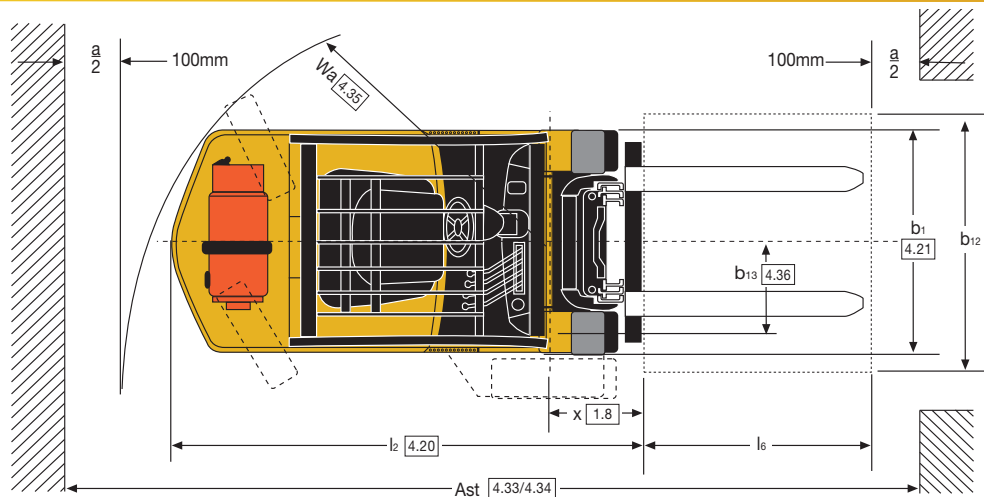
Diesel and LP Gas Forklift Trucks

2,000kg / 2,500kg / 3,000kg / 3,500kg

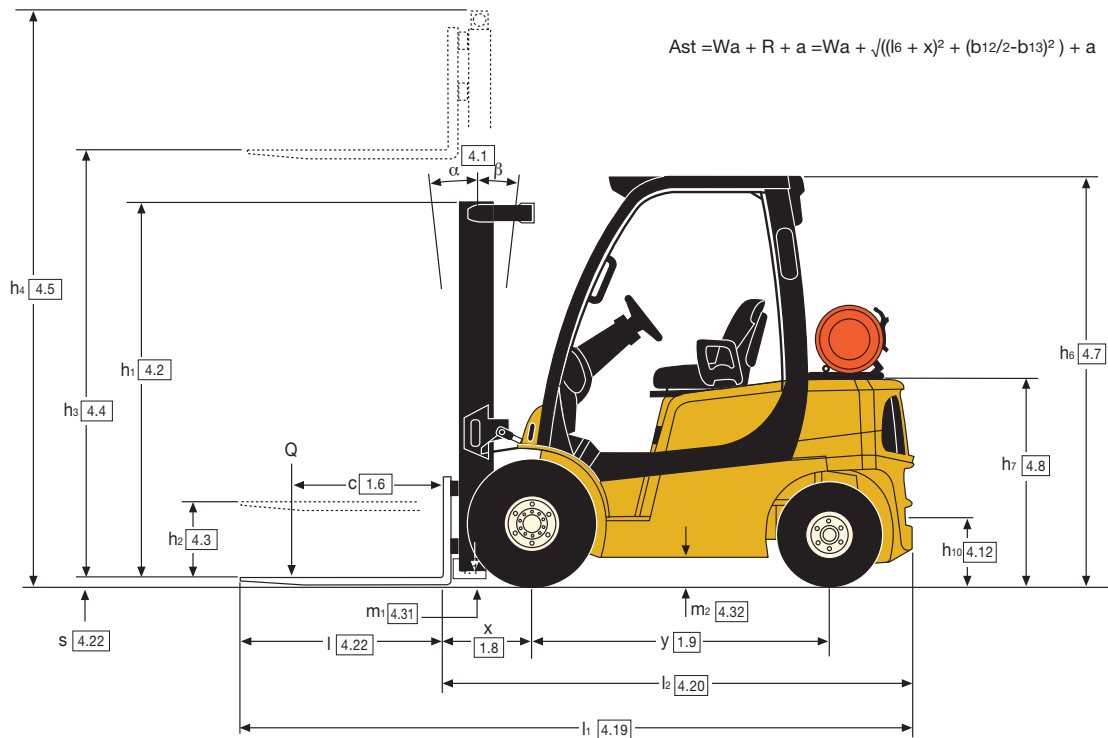
- New high Visibility Masts and optional Side Shifting Fork Positioner
- Intellix™ Vehicle Management System with CANbus technology
- 3 application matched transmissions, including the World's best hydrodynamic transmission - the Yale Techtronix™
- Oil immersed brakes
- ADS - Auto Deceleration System and Anti Roll Back on Techtronix™ 100 transmission
- Anti Roll Back
- CANbus technology
- AccuTouch™ minilevers and manual levers
- Superelastic and pneumatic radial tyres



Truck Dimensions



$$Ast = Wa + R + a = Wa + \sqrt{((l6 + x)^2 + (b12/2 - b13)^2)} + a$$



Engine Specifications

Yanmar TNE series, Diesel

Base, Value

4 Cylinder	Overhead valve
Displacement	2.6 litre
Torque	138 Nm @ 1,500rpm
Power	33.9 kW @ 2,700rpm
Air filtration	Two stage, dry type
VDI 2198	3.0L
IDI fuel injection system	

Yanmar TNE series, Diesel

Value, Productivity

4 Cylinder	Overhead valve
Displacement	3.0 litre
Torque	162 Nm @ 1,500rpm
Power	34.2 kW @ 2,400rpm
VDI 2198	3.1L
Air filtration	Two stage, dry type
IDI fuel injection system	

Yanmar TNE series, Diesel

Base, Value

4 Cylinder	Overhead valve
Displacement	3.3 litre
Torque	203 Nm @ 1,650rpm
Power	43.0 kW @ 2,400rpm

Air filtration	Two stage, dry type
VDI 2198	3.3L
IDI fuel injection system	

Mazda FE, LPG

Base, Value

4 Cylinder	Overhead Camshaft
Displacement	2.2 litre
Torque	146 Nm @ 1,800rpm
Power	38.0 kW @ 2,700rpm

Air filtration	Two stage, dry type
VDI 2198	2.7L
Emission Control Closed loop	

Kubota, LPG

Productivity

4 Cylinder	Overhead Valve
Displacement	2.5 litre
Torque	171 Nm @ 1,800rpm
Power	43.9 kW @ 2,500rpm

Air filtration	Two stage, dry type
VDI 2198	2.80L
Emission Control Closed loop	

Options

- Powertrain protection system
- Premium monitoring package
- High air intake with pre-cleaner
- Accumulator
- Keyless start (with auxiliary key switch)
- Traction speed limiter
- Heavy-duty "Combi Cooler" radiator
- Swing-out, drop-down EZ-Tank bracket
- Return-to-set tilt
- Swivel full suspension seat
- Foot directional control
- Operator password
- Alarm-reverse
- Amber strobe light - continuous activated
- Impact monitor
- Load weight indicator

Masts

A full range of Yale 2-stage LFL and 2-stage and 3-stage FFL masts are available.

The new Yale masts are designed for maximum visibility, with widely spaced channels, lift chains and main lift cylinders.

GDP/GLP 20VX, GDP/GLP 25VX mast details and capacity ratings (kg) - superelastic tyres

Model						GLP/GDP 20 VX						GLP/GDP 25 VX						
Tyre size, front						7.00 x 12						7.00 x 12						
Overall width, front						1157mm						1157mm						
Mast	h1 (mm)	h2+s (mm)	h3+s (mm)	h4 (mm)	Tilt		Forks			ISS & FP			Forks			ISS & FP		
					F	B	Load Centre (kg)			Load Centre (kg)			Load Centre (kg)			Load Centre (kg)		
							500	600	700	500	600	700	500	600	700	500	600	700
2 Stage LFL	2170	140	3290	3904	6	5	2000	1920	1750	2000	1840	1680	2500	2370	2170	2500	2280	2090
	2420	140	3790	4404	6	5	2000	1910	1740	2000	1830	1680	2500	2360	2160	2500	2270	2080
	2770	140	4330	4944	6	5	2000	1890	1730	1990	1810	1660	2500	2350	2150	2480	2250	2070
	3020	140	4830	5444	6	5	1910	1800	1640	1890	1720	1580	2400	2340	2040	2370	2150	1960
2 Stage FFL	2170	1558	3300	3914	6	5	2000	1920	1750	2000	1840	1690	2500	2380	2170	2500	2280	2090
	1970	1382	4350	4938	6	5	2000	1880	1720	1970	1790	1640	2500	2380	2170	2500	2280	2090
3 Stage FFL	2170	1582	4950	5538	6	5	1890	1760	1610	1850	1680	1540	2370	2250	2060	2370	2160	1980
	2420	1832	5550	6138	6	5	1760	1630	1490	1720	1560	1430	2240*	2110*	1930*	2220*	2020*	1850*
	2620	2030	6000	6588	6	5	1660	1530	1400	1600	1460	1340	2120*	1990*	1800*	2090*	1900*	1740*

* With wide tread drive tyres (1317mm width) or dual drive tyres (1601mm width) - must be specified. h2 and h4 are without load backrest.

GDP/GLP 30VX, GDP/GLP 35VX mast details and capacity ratings (kg) - superelastic tyres

Model						GLP/GDP 30 VX						GLP/GDP 35 VX						
Tyre size, front						28 x 9-15						28 x 9-15						
Overall width, front						1186mm						1186mm						
Mast	h1 (mm)	h2+s (mm)	h3+s (mm)	h4 (mm)	Tilt		Forks			ISS & FP			Forks			ISS & FP		
					F	B	Load Centre (kg)			Load Centre (kg)			Load Centre (kg)			Load Centre (kg)		
							500	600	700	500	600	700	500	600	700	500	600	700
2 Stage LFL	2195	150	3105	3809	6	5	3000	2820	2580	2970	2700	2480	3500	3310	3030	3490	3180	2920
	2445	150	3605	4309	6	5	3000	2810	2570	2950	2690	2470	3500	3300	3020	3480	3170	2910
	2795	150	4105	4809	6	5	3000	2790	2560	2940	2670	2450	3500	3290	3010	3460	3150	2890
	3045	150	4605	5309	6	5	2890	2690	2450	2830	2570	2350	3390	3170	2900	3340	3040	2780
2 Stage FFL	2195	1495	3110	3810	6	5	3000	2820	2580	2960	2700	2480	3500	3310	3030	3490	3180	2920
	1995	1319	4015	4694	6	5	3000	2800	2560	2930	2670	2450	3500	3290	3010	3460	3150	2890
3 Stage FFL	2195	1519	4615	5294	6	5	2900	2700	2470	2830	2580	2370	3400	3190	2920	3350	3050	2800
	2345	1669	4915	5594	6	5	2840	2630	2410	2760	2510	2310	3320*	3110*	2850*	3260	2980	2730
	2445	1769	5215	5894	6	5	2740	2560	2340	2680	2440	2240	3250*	3030*	2780*	3180*	2900*	2660*
	2695	2015	5815	6494	6	5	2610*	2400*	2200*	2510*	2290*	2100*	2950*	2860*	2610*	2970*	2730*	2500*

* With wide tread drive tyres (1321mm width) or dual drive tyres (1601mm width) - must be specified. h2 and h4 without load backrest.

GDP/GLP 20VX, GDP/GLP 25VX mast details and capacity ratings (kg) - radial tyres

Model						GLP/GDP 20 VX						GLP/GDP 25 VX						
Tyre size, front						7.00 x R12						7.00 x R12						
Overall width, front						1157mm						1157mm						
Mast	h1 (mm)	h2+s (mm)	h3+s (mm)	h4 (mm)	Tilt		Forks			ISS & FP			Forks			ISS & FP		
					F	B	Load Centre (kg)			Load Centre (kg)			Load Centre (kg)			Load Centre (kg)		
							500	600	700	500	600	700	500	600	700	500	600	700
2 Stage LFL	2170	140	3290	3904	6	5	2000	1920	1750	2000	1840	1680	2500	2370	2170	2500	2280	2090
	2420	140	3790	4404	6	5	2000	1910	1740	2000	1830	1680	2500	2360	2160	2500	2270	2080
	2770	140	4330	4944	6	5	2000	1890	1730	1990	1810	1660	2500	2350	2150	2480	2250	2070
	3020	140	4830	5444	6	5	1900	1790	1630	1890	1720	1570	2390*	2340*	2040*	2360*	2150*	1960*
2 Stage FFL	2170	1558	3300	3914	6	5	2000	1920	1750	2000	1840	1690	2500	2380	2170	2500	2280	2090
	1970	1382	4350	4938	6	5	2000	1880	1720	1970	1790	1640	2500*	2380*	2170*	2500*	2280*	2090*
3 Stage FFL	2170	1582	4950	5538	6	5	1880	1760	1610	1850	1680	1540	2370*	2250*	2060*	2370*	2150*	1980*
	2420	1832	5550	6138	6	5	1760*	1630*	1490*	1710*	1560*	1430*	2240**	2110**	1930**	2220**	2020**	1860**
	2620	2030	6000	6588	6	5	1650*	1520*	1380*	1600*	1450*	1330*	2130**	1990**	1810**	2100**	2100**	1740**

* With wide tread drive tyres (1317mm width) or dual drive tyres (1601mm width) - must be specified. **Dual drive tyres (1601mm width) must be specified. h2 and h4 are without load backrest.

GDP/GLP 30VX, GDP/GLP 35VX mast details and capacity ratings (kg) - radial tyres

Model						GLP/GDP 30 VX						GLP/GDP 35 VX						
Tyre size, front						225 / 75R15						225 / 75R15						
Overall width, front						1186mm						1186mm						
Mast	h1 (mm)	h2+s (mm)	h3+s (mm)	h4 (mm)	Tilt		Forks			Integral Sideshift			Forks			Integral Sideshift		
					F	B	Load Centre (kg)			Load Centre (kg)			Load Centre (kg)			Load Centre (kg)		
							500	600	700	500	600	700	500	600	700	500	600	700
2 Stage LFL	2195	150	3105	3809	6	5	3000	2820	2580	2970	2700	2480	3500	3310	3030	3490	3180	2920
	2445	150	3605	4309	6	5	3000	2810	2570	2950	2690	2470	3500	3300	3020	3480	3170	2910
	2795	150	4105	4809	6	5	3000	2790	2560	2940	2670	2450	3500	3290	3010	3460	3150	2890
	3045	150	4605	5309	6	5	2890	2690	2450	2820	2570	2350	3340	3170	2900	3340	3040	2780
2 Stage FFL	2195	1495	3110	3810	6	5	3000	2820	2580	2960	2700	2480	3500	3310	3030	3490	3180	2920
	1995	1319	4015	4694	6	5	3000	2800	2560	2930	2670	2450	3500*	3290*	3010*	3430	3150	2890
3 Stage FFL	2195	1519	4615	5294	6	5	2900*	2700*	2470*	2830*	2580*	2370*	3400*	3190*	2920*	3350*	3050*	2800*
	2345	1669	4915	5594	6	5	2830*	2630*	2400*	2750*	2510*	2300*	3330**	3110**	2850**	3270**	2980**	2730**
	2445	1769	5215	5894	6	5	2760*	2550*	2340*	2680*	2440*	2240*	3250**	3040**	2780**	3190**	2900**	2670**
	2695	2015	5815	6494	6	5	2610**	2400**	2190**	2510**	2290**	2090**	3080**	2860**	2610**	3000**	2740**	2500**

* With wide tread drive tyres (1321mm width) or dual drive tyres (1601mm width) - must be specified. **Dual drive tyres (1601mm width) must be specified. h2 and h4 without load backrest.

Note: To calculate truck capacities with alternative truck specifications to the ones shown in the above tables, please use the YCPG software

VDI 2198 - General Specifications, Diesel powered GDP 20VX, GDP 25VX

			Yale			
			GDP 20 VX			
Distinguishing mark	1.1	Manufacturer (abbreviation)				
	1.2	Manufacturer's type designation				
		Model		Base	Value	Productivity
		Engine / transmission		Yanmar 2.6L / Standard Electronic 1-Speed	Yanmar 2.6L / Techtronix 100 1-Speed	Yanmar 3.0L / Techtronix 100X 2-Speed
		Brake type		Drum brakes	Drum or Wet brakes	Wet brakes
	1.3	Drive: electric (battery or mains), diesel, petrol, fuel gas		Diesel	Diesel	Diesel
	1.4	Operator type: hand, pedestrian, standing, seated, order-picker		Seated	Seated	Seated
	1.5	Rated capacity/rated load	Q (t)	2.0	2.0	2.0
	1.6	Load centre distance	c (mm)	500	500	500
1.8	Load distance, centre of drive axle to fork	x (mm)	471	471	471	
1.9	Wheelbase	y (mm)	1623	1623	1623	
Weights	2.1	Service weight	kg	3623	3623	3623
	2.2	Axle loading, laden front/rear	kg	5046 / 577	5046 / 577	5046 / 577
	2.3	Axle loading, unladen front/rear	kg	1850 / 1773	1850 / 1773	1850 / 1773
Tyres/chassis	3.1	Tyres: P = pneumatic, V = cushion, SE = superelastic		SE	SE	SE
	3.2	Tyre size, front		7.00 X 12 - 12	7.00 X 12 - 12	7.00 X 12 - 12
	3.3	Tyre size, rear		6.00 X 9	6.00 X 9	6.00 X 9
	3.5	Wheels, number front/rear (x = driven wheels)		2x / 2	2x / 2	2x / 2
	3.6	Tread, front	b10 (mm)	965	965	965
	3.7	Tread, rear	b11 (mm)	967	967	967
	Dimensions	4.1	Tilt of mast/fork carriage forward/backward	α / β (°)	6 / 5	6 / 5
4.2		Height of mast, lowered	h1 (mm)	2170	2170	2170
4.3		Free lift ▲	h2 (mm)	140	140	140
4.4		Lift ▲	h3 (mm)	3250	3250	3250
4.5		Height, mast extended ✚	h4 (mm)	3904	3904	3904
4.7		Height of overhead guard (cabin) ○	h6 (mm)	2160	2160	2160
4.7.1		Cab height (open cab)	mm	2181	2181	2181
4.8		Seat height relating to SIP/stand height ✕	h7 (mm)	1061	1061	1061
4.12		Coupling height	h10 (mm)	365	365	365
4.19		Overall length	l1 (mm)	3486	3486	3486
4.20		Length to face of forks	l2 (mm)	2486	2486	2486
4.21		Overall width ■	b1/b2 (mm)	1157 / 1317 / 1601	1157 / 1317 / 1601	1157 / 1317 / 1601
4.22		Fork dimensions DIN ISO 2331	s/e/l (mm)	40 X 100 X 1000	40 X 100 X 1000	40 X 100 X 1000
4.23		Fork carriage ISO 2328, class/type A, B		II A	II A	II A
4.24		Fork carriage width ▴	b3 (mm)	1067	1067	1067
4.31		Ground clearance, laden, below mast	m1 (mm)	107	107	107
4.32		Ground clearance, centre of wheelbase	m2 (mm)	160	160	160
4.34.1		Aisle width for pallets 1000 long x 1200 crossways	Ast (mm)	3820	3820	3820
4.34.2		Aisle width for pallets 800 wide x 1200 lengthways	Ast (mm)	4020	4020	4020
4.35		Turning radius	Wa (mm)	2149	2149	2149
4.36	Internal turning radius	b13 (mm)	629	629	629	
4.41	90° intersecting aisle (with pallet W = 1200mm, L = 1000mm)	(mm)	1987	1987	1987	
4.42	Step height (from ground to running board)	(mm)	702	702	702	
4.43	Step height (between intermediate steps between running board and floor)	(mm)	382	382	382	
Performance data	5.1	Travel speed, laden/unladen	km/h	16.9 / 18.0	16.9 / 18.0	19.1 / 19.8
	5.1.1	Travel speed, laden/unladen, backwards	km/h	16.9 / 18.0	16.9 / 18.0	14.7 / 15.2
	5.2	Lift speed, laden/unladen	m/s	0.66 / 0.71	0.62/0.65	0.61 / 0.64
	5.3	Lowering speed, laden/unladen	m/s	0.58 / 0.50	0.58 / 0.50	0.58 / 0.50
	5.5	Drawbar pull, laden/unladen *	N	17440 / 11570	17440 / 11570	21900 / 11450
	5.7	Gradeability, laden/unladen **	%	21.3 / 34.2	21.3 / 34.2	25.5 / 32.7
	5.9	Acceleration time, laden/unladen	s	5.5 / 4.9	5.5 / 4.9	5.4 / 4.8
5.10	Service brake		Hydraulic	Hydraulic	Hydraulic	
Combustion-engine	7.1	Engine manufacturer/type		Yanmar 4TNE92	Yanmar 4TNE92	Yanmar 4TNE94L
	7.2	Engine power according to ISO 1585	kW	33.9	33.9	34.2
	7.3	Rated speed	min-1	2700	2700	2450
	7.4	Number of cylinders/displacement	(-)/cm3	4 / 2659	4 / 2659	4 / 3054
	7.5	Fuel consumption according to VDI cycle ※	l/h or kg/h	2.7	2.7	2.9
8.1	Type of drive unit		Hydrodynamic	Hydrodynamic	Hydrodynamic	
Addition data	10.1	Operating pressure for attachments	bar	0 - 155	0 - 155	0 - 155
	10.2	Oil volume for attachments †	l/min	75	75	75
	10.3	Hydraulic tank, capacity	litres	45.8	45.8	45.8
	10.4	Fuel tank, capacity	litres	52.8	52.8	52.8
	10.7	Sound pressure level at the driver's seat ★	dB (A)	79	79	79
	10.7.2	Guaranteed sound power 2001/14/EC	dB (A)	102	102	102
	10.8	Towing coupling, type DIN		Pin	Pin	Pin

★ Measured according to the test cycles and based on the weighting values contained in EN12053.

† Variable.

▲ Top of forks.

✕ Full suspension seat in depressed position.

▴ Add 32mm with load backrest.

○ h6 subject to +/- 5mm tolerance. GDP20-25VX add 25mm when front tyre size 28 x 9-15 is selected.

■ Standard / Wide / Dual. When wet axle selected values are (1186 / 1321 / 1601) for all capacities.

✚ Without load backrest.

* at 1.6 km/h.

** at 4.8 km/h.

※ with Load Sensing Hydraulics (LSH).

	Yale					1.1
	GDP 25 VX					1.2
Productivity	Base	Base	Value	Productivity	Productivity	
Yanmar 3.0L / Techtronix 200X 2-Speed	Yanmar 2.6L / Standard Electronic 1-Speed	Yanmar 3.3L / Standard Electronic 1-Speed	Yanmar 2.6L / Techtronix 100 1-Speed	Yanmar 3.0L / Techtronix 100X 2-Speed	Yanmar 3.0L / Techtronix 200X 2-Speed	
Wet brakes	Drum brakes	Drum brakes	Drum or Wet brakes	Wet brakes	Wet brakes	
Diesel	Diesel	Diesel	Diesel	Diesel	Diesel	1.3
Seated	Seated	Seated	Seated	Seated	Seated	1.4
2.0	2.5	2.5	2.5	2.5	2.5	1.5
500	500	500	500	500	500	1.6
471	471	471	471	471	471	1.8
1623	1623	1623	1623	1623	1623	1.9
3623	3961	3961	3961	3961	3961	2.1
5046 / 577	5775 / 686	5775 / 686	5775 / 686	5775 / 686	5775 / 686	2.2
1850 / 1773	1780 / 2181	1780 / 2181	1780 / 2181	1780 / 2181	1780 / 2181	2.3
SE	SE	SE	SE	SE	SE	3.1
7.00 X 12 - 12	7.00 X 12 - 12	7.00 X 12 - 12	7.00 X 12 - 12	7.00 X 12 - 12	7.00 X 12 - 12	3.2
6.00 X 9	6.00 X 9	6.00 X 9	6.00 X 9	6.00 X 9	6.00 X 9	3.3
2x / 2	2x / 2	2x / 2	2x / 2	2x / 2	2x / 2	3.5
965	965	965	965	965	965	3.6
967	967	967	967	967	967	3.7
6 / 5	6 / 5	6 / 5	6 / 5	6 / 5	6 / 5	4.1
2170	2170	2170	2170	2170	2170	4.2
140	140	140	140	140	140	4.3
3250	3250	3250	3250	3250	3250	4.4
3904	3904	3904	3904	3904	3904	4.5
2160	2160	2160	2160	2160	2160	4.7
2181	2181	2181	2181	2181	2181	4.7.1
1061	1061	1061	1061	1061	1061	4.8
365	365	365	365	365	365	4.12
3486	3559	3559	3559	3559	3559	4.19
2486	2559	2559	2559	2559	2559	4.20
1157 / 1317 / 1601	1157 / 1317 / 1601	1157 / 1317 / 1601	1157 / 1317 / 1601	1157 / 1317 / 1601	1157 / 1317 / 1601	4.21
40 X 100 X 1000	40 X 100 X 1000	40 X 100 X 1000	40 X 100 X 1000	40 X 100 X 1000	40 X 100 X 1000	4.22
II A	II A	II A	II A	II A	II A	4.23
1067	1067	1067	1067	1067	1067	4.24
107	107	107	107	107	107	4.31
160	160	160	160	160	160	4.32
3820	3887	3887	3887	3887	3887	4.34.1
4020	4087	4087	4087	4087	4087	4.34.2
2149	2216	2216	2216	2216	2216	4.35
629	629	629	629	629	629	4.36
1987	2020	2020	2020	2020	2020	4.41
702	702	702	702	702	702	4.42
382	382	382	382	382	382	4.43
19.1 / 19.8	16.9 / 18.0	18.2 / 19.3	16.9 / 18.0	19.1 / 19.8	19.1 / 19.8	5.1
14.7 / 15.2	16.9 / 18.0	18.2 / 19.3	16.9 / 18.0	14.7 / 15.2	14.7 / 15.2	5.1.1
0.61 / 0.64	0.61 / 0.71	0.68 / 0.68	0.59/0.65	0.61 / 0.64	0.61 / 0.64	5.2
0.58 / 0.50	0.58 / 0.50	0.58 / 0.50	0.58 / 0.50	0.58 / 0.50	0.58 / 0.50	5.3
21900 / 11450	17440 / 11450	19500 / 11450	17440 / 11450	21750 / 10800	21750 / 10800	5.5
25.5 / 32.7	21.0 / 29.3	23.8 / 28.7	21.0 / 29.3	22.3 / 28.7	22.3 / 28.7	5.7
5.4 / 4.8	6.0 / 5.0	5.5 / 4.4	6.0 / 5.0	5.7 / 5.0	5.7 / 5.0	5.9
Hydraulic	Hydraulic	Hydraulic	Hydraulic	Hydraulic	Hydraulic	5.10
Yanmar 4TNE94L	Yanmar 4TNE92	Yanmar 4TNE98	Yanmar 4TNE92	Yanmar 4TNE94L	Yanmar 4TNE94L	7.1
34.2	33.9	43.0	33.9	34.2	34.2	7.2
2450	2700	2600	2700	2450	2450	7.3
4 / 3054	4 / 2659	4 / 3319	4 / 2659	4 / 3054	4 / 3054	7.4
2.9	3.0	3.3	3.0	3.1	3.1	7.5
Hydrodynamic	Hydrodynamic	Hydrodynamic	Hydrodynamic	Hydrodynamic	Hydrodynamic	8.1
0 - 155	0 - 155	0 - 155	0 - 155	0 - 155	0 - 155	10.1
75	75	75	75	75	75	10.2
45.8	45.8	45.8	45.8	45.8	45.8	10.3
52.8	52.8	52.8	52.8	52.8	52.8	10.4
79	79	79	79	79	79	10.7
102	102	102	102	102	102	10.7.1
Pin	Pin	Pin	Pin	Pin	Pin	10.8

Distinguishing mark

Weights

Tyres/chassis

Dimensions

Performance data

Combustion-engine

Addition data

Base specification sheet truck based on:
3290mm (GDP20/25VX) Top of Forks 2-stage LFL Standard carriage, 1000mm forks and manual levers.

Value and Productivity specification sheet truck based on: 3290mm (GDP20/25VX) Top of Forks 2-stage LFL Standard carriage, 1000mm forks and e-hydraulics.

For Value models fitted with manual levers, the value for lines 5.2 and 7.5 are as on the Base VDI table.

VDI 2198 - General Specifications, Diesel powered GDP 30VX, GDP 35VX

		Yale			
Distinguishing mark	1.1	Manufacturer (abbreviation)			GDP 30 VX
	1.2	Manufacturer's type designation			
		Model	Base	Base	Value
		Engine / transmission	Yanmar 2.6L / Standard Electronic 1-Speed	Yanmar 3.3L / Standard Electronic 1-Speed	Yanmar 2.6L / Techtronix 100 1-Speed
		Brake type	Drum brakes	Drum brakes	Drum or Wet brakes
1.3	Drive: electric (battery or mains), diesel, petrol, fuel gas	Diesel	Diesel	Diesel	
1.4	Operator type: hand, pedestrian, standing, seated, order-picker	Seated	Seated	Seated	
1.5	Rated capacity/rated load	Q (t)	3.0	3.0	
1.6	Load centre distance	c (mm)	500	500	
1.8	Load distance, centre of drive axle to fork	x (mm)	483	483	
1.9	Wheelbase	y (mm)	1623	1623	
Weights	2.1	Service weight	kg	4437	4437
	2.2	Axle loading, laden front/rear	kg	6662 / 775	6662 / 775
	2.3	Axle loading, unladen front/rear	kg	1845 / 2592	1845 / 2592
Tyres/chassis	3.1	Tyres: L = pneumatic, V = cushion, SE = supercushion		SE	SE
	3.2	Tyre size, front		28 X 9 - 15	28 X 9 - 15
	3.3	Tyre size, rear		6.50 X 10	6.50 X 10
	3.5	Wheels, number front/rear (x = driven wheels)		2x / 2	2x / 2
	3.6	Tread, front	b10 (mm)	965	965
	3.7	Tread, rear	b11 (mm)	967	967
	Dimensions	4.1	Tilt of mast/fork carriage forward/backward	α / β (°)	6 / 5
4.2		Height of mast, lowered	h1 (mm)	2195	2195
4.3		Free lift ▲	h2 (mm)	140	140
4.4		Lift ▲	h3 (mm)	3055	3055
4.5		Height, mast extended +	h4 (mm)	3809	3809
4.7		Height of overhead guard (cabin) ○	h6 (mm)	2185	2185
4.7.1		Cab height (open cab)	mm	2206	2206
4.8		Seat height/stand height ✕	h7 (mm)	1086	1086
4.12		Coupling height	h10 (mm)	390	390
4.19		Overall length	l1 (mm)	3633	3633
4.20		Length to face of forks	l2 (mm)	2633	2633
4.21		Overall width ■	b1/b2 (mm)	1186 / 1321 / 1601	1186 / 1321 / 1601
4.22		Fork dimensions	s/e/l (mm)	50 X 120 X 1000	50 X 120 X 1000
4.23		Fork carriage DIN15176, class/type A,B		III A	III A
4.24		Fork carriage width ▾	b3 (mm)	1067	1067
4.31		Ground clearance, laden, below mast	m1 (mm)	132	132
4.32		Ground clearance, centre of wheelbase	m2 (mm)	185	185
4.34.1		Aisle width for pallets 1000 long x 1200 crossways	Ast (mm)	3955	3955
4.34.2		Aisle width for pallets 800 wide x 1200 lengthways	Ast (mm)	4155	4155
4.35		Turning radius	Wa (mm)	2277	2277
4.36	Internal turning radius	b13 (mm)	618	618	
4.41	90° intersecting aisle (with pallet W = 1200mm, L = 1000mm)		2077	2077	
4.42	Step height (from ground to running board)	(mm)	727	727	
4.43	Step height (between intermediate steps between running board and floor)	(mm)	407	407	
Performance data	5.1	Travel speed, laden/unladen	km/h	18.2 / 19.1	18.2 / 19.2
	5.1.1	Travel speed, laden/unladen, backwards	km/h	18.2 / 19.1	18.2 / 19.1
	5.2	Lift speed, laden/unladen	m/s	0.47 / 0.62	0.51/0.57
	5.3	Lowering speed, laden/unladen	m/s	0.53 / 0.47	0.53 / 0.47
	5.5	Drawbar pull, laden/unladen *	N	16354 / 11708	16354 / 11708
	5.7	Gradeability, laden/unladen **	%	15.0 / 26.6	15.0 / 26.6
	5.9	Acceleration time, laden/unladen	s	6.2 / 5.3	6.2 / 5.3
5.10	Service brake		Hydraulic	Hydraulic	
Combustion-engine	7.1	Engine manufacturer/type		Yanmar 4TNE92	Yanmar 4TNE92
	7.2	Engine power according to ISO 1585	kW	33.9	33.9
	7.3	Rated speed	min-1	2700	2700
	7.4	Number of cylinders/displacement	(-)/cm3	4 / 2659	4 / 2659
	7.5	Fuel consumption according to VDI cycle ※	l/h or kg/h	3.2	3.2
8.1	Type of drive unit		Hydrodynamic	Hydrodynamic	
Addition data	10.1	Operating pressure for attachments	bar	0 - 155	0 - 155
	10.2	Oil volume for attachments †	l/min	75	75
	10.3	Hydraulic tank, capacity	litres	45.8	45.8
	10.4	Fuel tank, capacity	litres	52.8	52.8
	10.7	Sound pressure level at the driver's seat ★	dB (A)	79	79
	10.7.2	Guaranteed sound power 2001/14/EC	dB (A)	102	102
	10.8	Towing coupling, type DIN		Pin	Pin

★ Measured according to the test cycles and based on the weighting values contained in EN12053.

† Variable.

▲ Top of forks.

✕ Full suspension seat in depressed position.

▾ Add 32mm with load backrest.

○ h6 subject to +/- 5mm tolerance.

■ Standard / Wide / Dual.

When wet axle selected values are (1186 / 1321 / 1601) for all capacities.

+ Without load backrest.

* at 1.6km/h

** at 4.8km/h

※ with Load Sensing Hydraulics (LSH).

		Yale				1.1	Distinguishing mark
		GDP 35 VX				1.2	
Productivity	Productivity	Base	Value	Productivity	Productivity		
Yanmar 3.0L / Techtronix 100X 2-Speed	Yanmar 3.0L / Techtronix 200X 2-Speed	Yanmar 3.3L / Standard Electronic 1-Speed	Yanmar 3.3L / Techtronix 100 1-Speed	Yanmar 3.0L / Techtronix 100X 2-Speed	Yanmar 3.0L / Techtronix 200X 2-Speed		
Wet brakes	Wet brakes	Drum brakes	Drum brakes	Wet brakes	Wet brakes		
Diesel	Diesel	Diesel	Diesel	Diesel	Diesel	1.3	
Seated	Seated	Seated	Seated	Seated	Seated	1.4	
3.0	3.0	3.5	3.5	3.5	3.5	1.5	
500	500	500	500	500	500	1.6	
483	483	483	483	483	483	1.8	
1623	1623	1700	1700	1700	1700	1.9	
4437	4437	4754	4754	4754	4754	2.1	
6662 / 775	6662 / 775	7336 / 928	7336 / 928	7336 / 928	7336 / 928	2.2	
1845 / 2592	1845 / 2592	1804 / 2950	1804 / 2950	1804 / 2950	1804 / 2950	2.3	
SE	SE	SE	SE	SE	SE	3.1	
28 X 9 - 15	28 X 9 - 15	28 X 9 - 15	28 X 9 - 15	28 X 9 - 15	28 X 9 - 15	3.2	
6.50 X 10	6.50 X 10	6.50 X 10	6.50 X 10	6.50 X 10	6.50 X 10	3.3	
2x / 2	2x / 2	2x / 2	2x / 2	2x / 2	2x / 2	3.5	
965	965	965	965	965	965	3.6	
967	967	967	967	967	967	3.7	
6 / 5	6 / 5	6 / 5	6 / 5	6 / 5	6 / 5	4.1	
2195	2195	2195	2195	2195	2195	4.2	
140	140	140	140	140	140	4.3	
3055	3055	3055	3055	3055	3055	4.4	
3809	3809	3809	3809	3809	3809	4.5	
2185	2185	2185	2185	2185	2185	4.7	
2206	2206	2206	2206	2206	2206	4.7.1	
1086	1086	1086	1086	1086	1086	4.8	
390	390	390	390	390	390	4.12	
3633	3633	3734	3734	3734	3734	4.19	
2633	2633	2734	2734	2734	2734	4.20	
1186 / 1321 / 1601	1186 / 1321 / 1601	1186 / 1321 / 1601	1186 / 1321 / 1601	1186 / 1321 / 1601	1186 / 1321 / 1601	4.21	
50 X 120 X 1000	50 X 120 X 1000	50 X 120 X 1000	50 X 120 X 1000	50 X 120 X 1000	50 X 120 X 1000	4.22	
III A	III A	III A	III A	III A	III A	4.23	
1067	1067	1067	1067	1067	1067	4.24	
132	132	132	132	132	132	4.31	
185	185	185	185	185	185	4.32	
3955	3955	4058	4058	4058	4058	4.34.1	
4155	4155	4258	4258	4258	4258	4.34.2	
2277	2277	2380	2380	2380	2380	4.35	
618	618	647	647	647	647	4.36	
2077	2077	2111	2111	2111	2111	4.41	
727	727	727	727	727	727	4.42	
407	407	407	407	407	407	4.43	
21.1 / 21.4	21.1 / 21.4	20.0 / 21.1	20.0 / 21.1	21.1 / 21.4	21.1 / 21.4	5.1	
16.2 / 16.6	16.2 / 16.6	20.0 / 21.1	20.0 / 21.1	16.2 / 16.6	16.2 / 16.6	5.1.1	
0.52 / 0.56	0.52 / 0.56	0.60 / 0.60	0.55/0.55	0.52 / 0.56	0.52 / 0.56	5.2	
0.53 / 0.47	0.53 / 0.47	0.53 / 0.47	0.53 / 0.47	0.53 / 0.47	0.53 / 0.47	5.3	
19850 / 11400	19850 / 11400	17450 / 11000	17450 / 11000	19700 / 11400	19700 / 11400	5.5	
18.2 / 26.5	18.2 / 26.5	16.5 / 24.3	16.5 / 24.3	16.1 / 24.3	16.1 / 24.3	5.7	
5.9 / 5.2	5.9 / 5.2	6.0 / 4.8	6.0 / 4.8	6.2 / 5.3	6.2 / 5.3	5.9	
Hydraulic	Hydraulic	Hydraulic	Hydraulic	Hydraulic	Hydraulic	5.10	
Yanmar 4TNE94L	Yanmar 4TNE94L	Yanmar 4TNE98	Yanmar 4TNE98	Yanmar 4TNE94L	Yanmar 4TNE94L	7.1	
34.2	34.2	43.0	43.0	34.2	34.2	7.2	
2450	2450	2600	2600	2450	2450	7.3	
4 / 3054	4 / 3054	4 / 3319	4 / 3319	4 / 3054	4 / 3054	7.4	
3.5	3.5	4.3	4.3	3.8	3.8	7.5	
Hydrodynamic	Hydrodynamic	Hydrodynamic	Hydrodynamic	Hydrodynamic	Hydrodynamic	8.1	
0 - 155	0 - 155	0 - 155	0 - 155	0 - 155	0 - 155	10.1	
75	75	75	75	75	75	10.2	
45.8	45.8	45.8	45.8	45.8	45.8	10.3	
52.8	52.8	52.8	52.8	52.8	52.8	10.4	
79	79	79	79	79	79	10.7	
102	102	102	102	102	102	10.7.1	
Pin	Pin	Pin	Pin	Pin	Pin	10.8	

Distinguishing mark

Weights

Tyres/chassis

Dimensions

Performance data

Combustion-engine

Addition data

Base specification sheet truck based on:
3105mm (GDP30/35VX) Top of Forks 2-stage LFL Standard carriage, 1000mm forks and manual levers.

Value and Productivity specification sheet truck based on: 3105mm (GDP30/35VX) Top of Forks 2-stage LFL Standard carriage, 1000mm forks and e-hydraulics.

For Value models fitted with manual levers, the value for lines 5.2 and 7.5 are as on the Base VDI table.

VDI 2198 - General Specifications, LPG powered GLP 20VX, GLP 25VX

Distinguishing mark			Yale		
			GLP 20 VX		
1.1	Manufacturer (abbreviation)				
1.2	Manufacturer's type designation				
	Model		Base	Value	Productivity
	Engine / transmission		**Mazda 2.2L / Standard Electronic 1-Speed	Mazda 2.2L / Techtronix 100 1-Speed	Kubota 2.5L / Techtronix 100 1-Speed
	Brake type		Drum brakes	Drum or Wet brakes	Drum or Wet brakes
1.3	Drive: electric (battery or mains), diesel, petrol, fuel gas		LPG	LPG	LPG
1.4	Operator type: hand, pedestrian, standing, seated, order-picker		Seated	Seated	Seated
1.5	Rated capacity/rated load	Q (t)	2.0	2.0	2.0
1.6	Load centre distance	c (mm)	500	500	500
1.8	Load distance, centre of drive axle to fork	x (mm)	471	471	471
1.9	Wheelbase	y (mm)	1623	1623	1623
2.1	Service weight	kg	3515	3515	3515
2.2	Axle loading, laden front/rear	kg	5003 / 512	5003 / 512	5003 / 512
2.3	Axle loading, unladen front/rear	kg	1807 / 1708	1807 / 1708	1807 / 1708
3.1	Tyres: L = pneumatic, V = cushion, SE = supercushion		SE	SE	SE
3.2	Tyre size, front		7.00 X 12 - 12	7.00 X 12 - 12	7.00 X 12 - 12
3.3	Tyre size, rear		6.00 X 9	6.00 X 9	6.00 X 9
3.5	Wheels, number front/rear (x = driven wheels)		2x / 2	2x / 2	2x / 2
3.6	Tread, front	b10 (mm)	965	965	965
3.7	Tread, rear	b11 (mm)	967	967	967
4.1	Tilt of mast/fork carriage forward/backward	α / β (°)	6 / 5	6 / 5	6 / 5
4.2	Height of mast, lowered	h1 (mm)	2170	2170	2170
4.3	Free lift ▲	h2 (mm)	140	140	140
4.4	Lift ▲	h3 (mm)	3250	3250	3250
4.5	Height, mast extended +	h4 (mm)	3904	3904	3904
4.7	Height of overhead guard (cabin) ○	h6 (mm)	2160	2160	2160
4.7.1	Cab height (open cab)	mm	2181	2181	2181
4.8	Seat height/stand height ✕	h7 (mm)	1061	1061	1061
4.12	Coupling height	h10 (mm)	365	365	365
4.19	Overall length	l1 (mm)	3486	3486	3486
4.20	Length to face of forks	l2 (mm)	2486	2486	2486
4.21	Overall width ■	b1/b2 (mm)	1157 / 1317 / 1601	1157 / 1317 / 1601	1157 / 1317 / 1601
4.22	Fork dimensions	s/e/l (mm)	40 X 100 X 1000	40 X 100 X 1000	40 X 100 X 1000
4.23	Fork carriage DIN15176, class/type A,B		II A	II A	II A
4.24	Fork carriage width ▾	b3 (mm)	1067	1067	1067
4.31	Ground clearance, laden, below mast	m1 (mm)	107	107	107
4.32	Ground clearance, centre of wheelbase	m2 (mm)	160	160	160
4.34.1	Aisle width for pallets 1000 long x 1200 crossways	Ast (mm)	3820	3820	3820
4.34.2	Aisle width for pallets 800 wide x 1200 lengthways	Ast (mm)	4020	4020	4020
4.35	Turning radius	Wa (mm)	2149	2149	2149
4.36	Internal turning radius	b13 (mm)	629	629	629
4.41	90° intersecting aisle (with pallet W = 1200mm, L = 1000mm)		1987	1987	1987
4.42	Step height (from ground to running board)	(mm)	707	702	702
4.43	Step height (between intermediate steps between running board and floor)	(mm)	382	382	382
5.1	Travel speed, laden/unladen	km/h	17.1 / 18.0	17.1 / 18.0	16.7 / 17.0
5.1.1	Travel speed, laden/unladen, backwards	km/h	17.1 / 18.0	17.1 / 18.0	16.7 / 17.0
5.2	Lift speed, laden/unladen	m/s	0.56 / 0.57	0.55/0.56	0.62 / 0.64
5.3	Lowering speed, laden/unladen	m/s	0.58 / 0.50	0.58 / 0.50	0.58 / 0.50
5.5	Drawbar pull, laden/unladen *	N	16937 / 12082	16937 / 12082	19085 / 11000
5.7	Gradeability, laden/unladen **	%	19.0 / 29.8	19.0 / 29.8	25.5 / 32.1
5.9	Acceleration time, laden/unladen	s	5.3 / 4.4	5.3 / 4.4	4.5 / 4.0
5.10	Service brake		Hydraulic	Hydraulic	Hydraulic
7.1	Engine manufacturer/type		Mazda F2	Mazda F2	Kubota 2.5L
7.2	Engine power according to ISO 1585	kW	38.0	38.0	43.9
7.3	Rated speed	min-1	2700	2700	2500
7.4	Number of cylinders/displacement	(-)/cm3	4 / 2184	4 / 2184	4 / 2491
7.5	Fuel consumption according to VDI cycle ※	l/h or kg/h	2.62	2.38	2.60
8.1	Type of drive unit		Hydrodynamic	Hydrodynamic	Hydrodynamic
10.1	Operating pressure for attachments	bar	0 - 155	0 - 155	0 - 155
10.2	Oil volume for attachments †	l/min	62	62	66
10.3	Hydraulic tank, capacity	litres	45.8	45.8	45.8
10.7	Sound pressure level at the driver's seat ★	dB (A)	79	79	78
10.7.1	Sound power level during the workcycle	dB (A)	-	-	96
10.7.2	Guaranteed sound power 2001/14/EC	dB (A)	102	102	100
10.8	Towing coupling, type DIN		Pin	Pin	Pin

** Engine date based on maximum capacity displacement.

★ Measured according to the test cycles and based on the weighting values contained in EN12053.

† Variable.

▲ Top of forks.

✕ Full suspension seat in depressed position.

▾ Add 32mm with load backrest.

○ h6 subject to +/- 5mm tolerance.

GLP20-25VX add 25mm when front tyre size 28 x 9-15 is selected.

■ Standard / Wide / Dual. When wet axle selected values are (1186 / 1321 / 1601) for all capacities.

+ Without load backrest.

* at 1.6km/h

** at 4.8km/h

※ with Load Sensing Hydraulics (LSH).

		Yale					1.1	Distinguishing mark
		GLP 25 VX					1.2	
Productivity	Productivity	Base	Value	Productivity	Productivity	Productivity		
Kubota 2.5L / Techtronix 100X 2-Speed	Kubota 2.5L / Techtronix 200X 2-Speed	**Mazda 2.2L / Standard Electronic 1-Speed	Mazda 2.2L / Techtronix 100 1-Speed	Kubota 2.5L / Techtronix 100 1-Speed	Kubota 2.5L / Techtronix 100X 2-Speed	Kubota 2.5L / Techtronix 200X 1-Speed		
Wet brakes	Wet brakes	Drum brakes	Drum or Wet brakes	Drum or Wet brakes	Wet brakes	Wet brakes		
LPG	LPG	LPG	LPG	LPG	LPG	LPG	1.3	
Seated	Seated	Seated	Seated	Seated	Seated	Seated	1.4	
2.0	2.0	2.5	2.5	2.5	2.5	2.5	1.5	
500	500	500	500	500	500	500	1.6	
471	471	471	471	471	471	471	1.8	
1623	1623	1623	1623	1623	1623	1623	1.9	
3515	3515	3853	3853	3853	3853	3853	2.1	
5003 / 512	5003 / 512	5732 / 621	5732 / 621	5732 / 621	5732 / 621	5732 / 621	2.2	
1807 / 1708	1807 / 1708	1737 / 2116	1737 / 2116	1737 / 2116	1737 / 2116	1737 / 2116	2.3	
SE	SE	SE	SE	SE	SE	SE	3.1	
7.00 X 12 - 12	28 X 9 - 15	7.00 X 12 - 12	7.00 X 12 - 12	7.00 X 12 - 12	7.00 X 12 - 12	28 X 9 - 15	3.2	
6.00 X 9	6.00 X 9	6.00 X 9	6.00 X 9	6.00 X 9	6.00 X 9	6.00 X 9	3.3	
2x / 2	2x / 2	2x / 2	2x / 2	2x / 2	2x / 2	2x / 2	3.5	
965	965	965	965	965	965	965	3.6	
967	967	967	967	967	967	967	3.7	
6 / 5	6 / 5	6 / 5	6 / 5	6 / 5	6 / 5	6 / 5	4.1	
2170	2170	2170	2170	2170	2170	2170	4.2	
140	140	140	140	140	140	140	4.3	
3250	3250	3250	3250	3250	3250	3250	4.4	
3904	3904	3904	3904	3904	3904	3904	4.5	
2160	2160	2160	2160	2160	2160	2160	4.7	
2181	2181	2181	2181	2181	2181	2181	4.7.1	
1061	1061	1061	1061	1061	1061	1061	4.8	
365	365	365	365	365	365	365	4.12	
3486	3486	3559	3559	3559	3559	3559	4.19	
2486	2486	2559	2559	2559	2559	2559	4.20	
1157 / 1317 / 1601	1186 / 1321 / 1601	1157 / 1317 / 1601	1157 / 1317 / 1601	1157 / 1317 / 1601	1157 / 1317 / 1601	1186 / 1321 / 1601	4.21	
40 X 100 X 1000	40 X 100 X 1000	40 X 100 X 1000	40 X 100 X 1000	40 X 100 X 1000	40 X 100 X 1000	40 X 100 X 1000	4.22	
II A	II A	II A	II A	II A	II A	II A	4.23	
1067	1067	1067	1067	1067	1067	1067	4.24	
107	107	107	107	107	107	107	4.31	
160	160	160	160	160	160	160	4.32	
3820	3820	3887	3887	3887	3887	3887	4.34.1	
4020	4020	4087	4087	4087	4087	4087	4.34.2	
2149	2149	2216	2216	2216	2216	2216	4.35	
629	629	629	629	629	629	629	4.36	
1987	1987	2020	2020	2020	2020	2020	4.41	
702	727	707	702	702	702	727	4.42	
382	407	382	382	382	382	407	4.43	
20.8 / 21.2	22.6 / 23.0	17.1 / 18.0	17.1 / 18.0	16.7 / 17.0	20.8 / 21.2	22.6 / 23.0	5.1	
16.3 / 16.6	17.8 / 18.1	17.1 / 18.0	17.1 / 18.0	16.7 / 17.0	16.3 / 16.6	17.8 / 18.1	5.1.1	
0.58 / 0.61	0.58 / 0.61	0.56 / 0.57	0.55 / 0.56	0.62 / 0.64	0.57 / 0.61	0.57 / 0.61	5.2	
0.58 / 0.50	0.58 / 0.50	0.58 / 0.50	0.58 / 0.50	0.58 / 0.50	0.58 / 0.50	0.58 / 0.50	5.3	
20875 / 11000	19613 / 11000	16857 / 11450	16857 / 11450	18946 / 10500	20825 / 10500	19460 / 10500	5.5	
26.5 / 32.1	25.7 / 32.1	16.0 / 29.0	16.0 / 29.0	21.8 / 28.0	22.7 / 28.0	22.0 / 28.0	5.7	
4.9 / 4.3	4.5 / 4.0	5.6 / 4.5	5.6 / 4.5	4.7 / 4.1	5.1 / 4.4	4.7 / 4.1	5.9	
Hydraulic	Hydraulic	Hydraulic	Hydraulic	Hydraulic	Hydraulic	Hydraulic	5.10	
Kubota 2.5L	Kubota 2.5L	Mazda F2	Mazda F2	Kubota 2.5L	Kubota 2.5L	Kubota 2.5L	7.1	
43.9	43.9	38.0	38.0	43.9	43.9	43.9	7.2	
2500	2500	2700	2700	2500	2500	2500	7.3	
4 / 2491	4 / 2491	4 / 2184	4 / 2184	4 / 2491	4 / 2491	4 / 2491	7.4	
2.70	2.70	2.98	2.70	2.80	2.90	2.90	7.5	
Hydrodynamic	Hydrodynamic	Hydrodynamic	Hydrodynamic	Hydrodynamic	Hydrodynamic	Hydrodynamic	8.1	
0 - 155	0 - 155	0 - 155	0 - 155	0 - 155	0 - 155	0 - 155	10.1	
66	66	62	62	66	66	66	10.2	
45.8	45.8	45.8	45.8	45.8	45.8	45.8	10.3	
78	78	79	79	78	78	78	10.7	
96	96	-	-	96	96	96	10.7.1	
100	100	102	102	100	100	100	10.7.2	
Pin	Pin	Pin	Pin	Pin	Pin	Pin	10.8	

Distinguishing mark

Weights

Tyres/chassis

Dimensions

Performance data

Combustion-engine

Addition data

Base specification sheet truck based on:
3290mm (GLP20/25VX) Top of Forks 2-stage LFL
Standard carriage, 1000mm forks and manual
levers.

**Value and Productivity specification sheet
truck based on:** 3290mm (GLP20/25VX) Top of
Forks 2-stage LFL Standard carriage, 1000mm
forks and e-hydraulics.

For Value models fitted with manual levers,
the value for lines 5.2 and 7.5 are as on the
Base VDI table.

VDI 2198 - General Specifications, LPG powered GLP 30VX, GLP 35VX

		Yale				
Distinguishing mark	1.1	Manufacturer (abbreviation)			GLP 30 VX	
	1.2	Manufacturer's type designation			Productivity	
		Model	Base	Value		
		Engine / transmission	**Mazda 2.2L / Standard Electronic 1-Speed	Mazda 2.2L / Techtronix 100 1-Speed	Kubota 2.5L / Techtronix 100 1-Speed	
		Brake type	Drum brakes	Drum or Wet brakes	Drum or Wet brakes	
Weights	1.3	Drive: electric (battery or mains), diesel, petrol, fuel gas	LPG	LPG	LPG	
	1.4	Operator type: hand, pedestrian, standing, seated, order-picker	Seated	Seated	Seated	
	1.5	Rated capacity/rated load	Q (t)	3.0	3.0	
Dimensions	1.6	Load centre distance	c (mm)	500	500	
	1.8	Load distance, centre of drive axle to fork	x (mm)	483	483	
	1.9	Wheelbase	y (mm)	1623	1623	
	2.1	Service weight	kg	4329	4329	
	2.2	Axle loading, laden front/rear	kg	6619 / 710	6619 / 710	
	2.3	Axle loading, unladen front/rear	kg	1802 / 2527	1802 / 2527	
	Tyres/chassis	3.1	Tyres: L = pneumatic, V = cushion, SE = supercushion	SE	SE	SE
		3.2	Tyre size, front	28 X 9 - 15	28 X 9 - 15	28 X 9 - 15
		3.3	Tyre size, rear	6.50 X 10	6.50 X 10	6.50 X 10
		3.5	Wheels, number front/rear (x = driven wheels)	2x / 2	2x / 2	2x / 2
3.6		Tread, front	b10 (mm)	965	965	
3.7		Tread, rear	b11 (mm)	967	967	
Performance data		4.1	Tilt of mast/fork carriage forward/backward	α / β (°)	6 / 5	6 / 5
	4.2	Height of mast, lowered	h1 (mm)	2195	2195	
	4.3	Free lift ▲	h2 (mm)	140	140	
	4.4	Lift ▲	h3 (mm)	3055	3055	
	4.5	Height, mast extended +	h4 (mm)	3809	3809	
	4.7	Height of overhead guard (cabin) ○	h6 (mm)	2185	2185	
	4.7.1	Cab height (open cab)	mm	2206	2206	
	4.8	Seat height/stand height ✕	h7 (mm)	1086	1086	
	4.12	Coupling height	h10 (mm)	390	390	
	4.19	Overall length	l1 (mm)	3633	3633	
	4.20	Length to face of forks	l2 (mm)	2633	2633	
	4.21	Overall width ■	b1/b2 (mm)	1186 / 1321 / 1601	1186 / 1321 / 1601	
	4.22	Fork dimensions	s/e/l (mm)	50 X 120 X 1000	50 X 120 X 1000	
	4.23	Fork carriage DIN15176, class/type A,B	III A	III A	III A	
	4.24	Fork carriage width ▾	b3 (mm)	1067	1067	
	4.31	Ground clearance, laden, below mast	m1 (mm)	132	132	
	4.32	Ground clearance, centre of wheelbase	m2 (mm)	185	185	
	4.34.1	Aisle width for pallets 1000 long x 1200 crossways	Ast (mm)	3955	3955	
	4.34.2	Aisle width for pallets 800 wide x 1200 lengthways	Ast (mm)	4155	4155	
	Combustion-engine	4.35	Turning radius	Wa (mm)	2277	2277
4.36		Internal turning radius	b13 (mm)	618	618	
4.41		90° intersecting aisle (with pallet W = 1200mm, L = 1000mm)		2077	2077	
4.42		Step height (from ground to running board)	(mm)	727	727	
4.43		Step height (between intermediate steps between running board and floor)	(mm)	407	407	
5.1		Travel speed, laden/unladen	km/h	18.0 / 19.1	18.0 / 19.1	
5.1.1		Travel speed, laden/unladen, backwards	km/h	18.0 / 19.1	17.8 / 18.2	
5.2		Lift speed, laden/unladen	m/s	0.49 / 0.50	0.55 / 0.56	
5.3		Lowering speed, laden/unladen	m/s	0.53 / 0.47	0.53 / 0.47	
5.5		Drawbar pull, laden/unladen *	N	16274 / 11708	17380 / 10800	
5.7	Gradeability, laden/unladen **	%	14.0 / 25.0	17.6 / 26.1		
5.9	Acceleration time, laden/unladen	s	6.0 / 4.8	4.9 / 4.2		
5.10	Service brake		Hydraulic	Hydraulic		
7.1	Engine manufacturer/type		Mazda F2	Mazda F2		
7.2	Engine power according to ISO 1585	kW	38.0	43.9		
7.3	Rated speed	min-1	2700	2500		
7.4	Number of cylinders/displacement	(-)/cm3	4 / 2184	4 / 2491		
7.5	Fuel consumption according to VDI cycle ※	l/h or kg/h	3.34	3.00		
Addition data	8.1	Type of drive unit		Hydrodynamic	Hydrodynamic	
	10.1	Operating pressure for attachments	bar	0 - 155	0 - 155	
	10.2	Oil volume for attachments †	l/min	62	66	
	10.3	Hydraulic tank, capacity	litres	45.8	45.8	
	10.7	Sound pressure level at the driver's seat ★	dB (A)	79	78	
	10.7.1	Sound power level during the workcycle	dB (A)	-	96	
	10.7.2	Guaranteed sound power 2001/14/EC	dB (A)	102	100	
	10.8	Towing coupling, type DIN		Pin	Pin	

** Engine date based on maximum capacity displacement.

★ Measured according to the test cycles and based on the weighting values contained in EN12053.

† Variable.

▲ Top of forks.

✕ Full suspension seat in depressed position.

▾ Add 32mm with load backrest.

○ h6 subject to +/- 5mm tolerance.

GLP20-25VX add 25mm when front tyre size 28 x 9-15 is selected.

■ Standard / Wide / Dual. When wet axle selected values are (1186 / 1321 / 1601) for all capacities.

+ Without load backrest.

* at 1.6km/h.

** at 4.8km/h.

※ with Load Sensing Hydraulics (LSH).

		Yale					1.1	Distinguishing mark
		GLP 35 VX					1.2	
Productivity	Productivity	Base	Value	Productivity	Productivity	Productivity		
Kubota 2.5L / Techtronix 100X 2-Speed	Kubota 2.5L / Techtronix 200X 2-Speed	Mazda 2.2L / Standard Electronic 1-Speed	Mazda 2.2L / Techtronix 100 1-Speed	Kubota 2.5L / Techtronix 100 1-Speed	Kubota 2.5L / Techtronix 100X 2-Speed	Kubota 2.5L / Techtronix 200X 2-Speed		
Wet brakes	Wet brakes	Drum brakes	Drum or Wet brakes	Drum or Wet brakes	Wet brakes	Wet brakes		
LPG	LPG	LPG	LPG	LPG	LPG	LPG	1.3	
Seated	Seated	Seated	Seated	Seated	Seated	Seated	1.4	
3.0	3.0	3.5	3.5	3.5	3.5	3.5	1.5	
500	500	500	500	500	500	500	1.6	
483	483	483	483	483	483	483	1.8	
1623	1623	1700	1700	1700	1700	1700	1.9	
4329	4329	4646	4646	4646	4646	4646	2.1	
6619 / 710	6619 / 710	7283 / 863	7283 / 863	7283 / 863	7283 / 863	7283 / 863	2.2	
1802 / 2527	1802 / 2527	1761 / 2885	1761 / 2885	1761 / 2885	1761 / 2885	1761 / 2885	2.3	
SE	SE	SE	SE	SE	SE	SE	3.1	
28 X 9 - 15	28 X 9 - 15	28 X 9 - 15	28 X 9 - 15	28 X 9 - 15	28 X 9 - 15	28 X 9 - 15	3.2	
6.50 X 10	6.50 X 10	6.50 X 10	6.50 X 10	6.50 X 10	6.50 X 10	6.50 X 10	3.3	
2x / 2	2x / 2	2x / 2	2x / 2	2x / 2	2x / 2	2x / 2	3.5	
965	965	965	965	965	965	965	3.6	
967	967	967	967	967	967	967	3.7	
6 / 5	6 / 5	6 / 5	6 / 5	6 / 5	6 / 5	6 / 5	4.1	
2195	2195	2195	2195	2195	2195	2195	4.2	
140	140	140	140	140	140	140	4.3	
3055	3055	3055	3055	3055	3055	3055	4.4	
3809	3809	3809	3809	3809	3809	3809	4.5	
2185	2185	2185	2185	2185	2185	2185	4.7	
2206	2206	2206	2206	2206	2206	2206	4.7.1	
1086	1086	1086	1086	1086	1086	1086	4.8	
390	390	390	390	390	390	390	4.12	
3633	3633	3734	3734	3734	3734	3734	4.19	
2633	2633	2734	2734	2734	2734	2734	4.20	
1186 / 1321 / 1601	1186 / 1321 / 1601	1186 / 1321 / 1601	1186 / 1321 / 1601	1186 / 1321 / 1601	1186 / 1321 / 1601	1186 / 1321 / 1601	4.21	
50 X 120 X 1000	50 X 120 X 1000	50 X 120 X 1000	50 X 120 X 1000	50 X 120 X 1000	50 X 120 X 1000	50 X 120 X 1000	4.22	
III A	III A	III A	III A	III A	III A	III A	4.23	
1067	1067	1067	1067	1067	1067	1067	4.24	
132	132	132	132	132	132	132	4.31	
185	185	185	185	185	185	185	4.32	
3955	3955	4058	4058	4058	4058	4058	4.34.1	
4155	4155	4258	4258	4258	4258	4258	4.34.2	
2277	2277	2380	2380	2380	2380	2380	4.35	
618	618	647	647	647	647	647	4.36	
2077	2077	2111	2111	2111	2111	2111	4.41	
727	727	727	727	727	727	727	4.42	
407	407	407	407	407	407	407	4.43	
22.0 / 22.7	22.0 / 22.7	18.0/19.1	18.0 / 19.1	17.8 / 18.2	22.0 / 22.7	22.0 / 22.7	5.1	
17.8 / 17.9	17.8 / 17.9	18.0 / 19.1	18.0 / 19.1	17.8 / 18.2	17.8 / 17.9	17.8 / 17.9	5.1.1	
0.49 / 0.53	0.49 / 0.53	0.49 / 0.50	0.48/0.49	0.56 / 0.56	0.48 / 0.53	0.48 / 0.53	5.2	
0.53 / 0.47	0.53 / 0.47	0.53 / 0.47	0.53 / 0.47	0.53 / 0.47	0.53 / 0.47	0.53 / 0.47	5.3	
19270 / 10800	19270 / 10800	15735 / 12594	15735 / 12594	17230 / 10600	19120 / 10600	19120 / 10600	5.5	
18.5 / 26.1	18.5 / 26.1	13.5 / 23.0	13.5 / 23.0	15.6 / 23.9	16.4 / 23.9	16.4 / 23.9	5.7	
5.4 / 4.6	5.4 / 4.6	6.2 / 4.9	6.2 / 4.9	5.2 / 4.3	5.6 / 4.7	5.6 / 4.7	5.9	
Hydraulic	Hydraulic	Hydraulic	Hydraulic	Hydraulic	Hydraulic	Hydraulic	5.10	
Kubota 2.5L	Kubota 2.5L	Mazda F2	Mazda F2	Kubota 2.5L	Kubota 2.5L	Kubota 2.5L	7.1	
43.9	43.9	38.0	38.0	43.9	43.9	43.9	7.2	
2500	2500	2700	2700	2500	2500	2500	7.3	
4 / 2491	4 / 2491	4 / 2184	4 / 2184	4 / 2491	4 / 2491	4 / 2491	7.4	
3.20	3.20	3.62	3.29	3.20	3.40	3.40	7.5	
Hydrodynamic	Hydrodynamic	Hydrodynamic	Hydrodynamic	Hydrodynamic	Hydrodynamic	Hydrodynamic	8.1	
0 - 155	0 - 155	0 - 155	0 - 155	0 - 155	0 - 155	0 - 155	10.1	
66	66	62	62	66	66	66	10.2	
45.8	45.8	45.8	45.8	45.8	45.8	45.8	10.3	
78	78	79	79	78	78	78	10.7	
96	96	-	-	96	96	96	10.7.1	
100	100	102	102	100	100	100	10.7.2	
Pin	Pin	Pin	Pin	Pin	Pin	Pin	10.8	

Distinguishing mark

Weights

Tyres/chassis

Dimensions

Performance data

Combustion-engine

Addition data

Base specification sheet truck based on:
3290mm (GLP20/25VX) Top of Forks 2-stage LFL Standard carriage, 1000mm forks and manual levers.

Value and Productivity specification sheet truck based on: 3290mm (GLP20/25VX) Top of Forks 2-stage LFL Standard carriage, 1000mm forks and e-hydraulics.

For Value models fitted with manual levers, the value for lines 5.2 and 7.5 are as on the Base VDI table.

VX series

Models: GDP/GLP 20VX, 25VX, 30VX, 35VX



Yale Veracitor VX Series

This series of trucks is available in three configurations.

The Veracitor Base truck offers first-rate performance for a wide variety of applications, geared to minimise cost of acquisition without compromising performance.

The Veracitor Value truck provides excellent performance applications optimised for lowest hourly operating cost.

The Veracitor Productivity truck delivers maximum performance for medium to heavy-duty applications with state-of-the-art features and industry leading power.

Engines

Yale Veracitor truck is powered by a range of heavy duty industrial engines, designed to deliver power efficiently over a 20,000 hour design life with 500 hour service intervals. All engines feature Cast Iron Blocks and a 5 main bearing design; engines are fully isolated from the frame and axle to prevent direct transmission of noise and vibration, resulting in low vehicle noise and vibration levels.

Variations in LPG fuel and its higher burning temperatures present challenges for converted Gasoline Engines and Yale has developed state of the art electronic fuel injection systems, which use closed loop control to maintain proper fuelling in all operating conditions. These advanced Industrial Engines feature coil over plug spark designs, and specially hardened intake and exhaust valve seats to ensure long operating life.

The high performance Kubota 2.5L LPG engine maximises performance and productivity for intensive operations, and with Cast Iron head and special 9.5 Litre Oil capacity is designed to do so reliably for the life of the truck. Advanced engine control systems allow fuel mapping to be optimised to allow highly efficient operation in ECO-eLo (Fuel efficiency) mode, with minimum loss of performance.

Heavy Duty Diesel Engines from Yanmar have super quick glow plugs allowing the engine to start quickly and reliably under cold conditions, the cold start device delivering a cleaner exhaust by advancing the fuel injection timing based on water temperature. Emissions have been reduced by controlling fuel injection timing according to engine load.

Masts

The range of new masts provides the driver with excellent visibility both through the mast and panoramically. The mast has a robust design and offers excellent rigidity particularly at full lift height. They are manufactured without compromise to provide robust and reliable performance, with minimal maintenance cost over the lifetime of the product.

Transmission

Four transmission selections are available with multiple engine configurations for a wide variety of material handling applications.

1) Standard Electronic features electronic inching, electric shift control, neutral start switch, antirestart protection and heavy duty clutch packs.

2) The Techtronix™ 100 has all the Standard Electronic features plus an Auto Deceleration System.

3) The Techtronix™ 100X has all the Techtronix™ 100 features, plus Two Speed Auto Shift (2 x forward, 1 x reverse).

Load Sensing Hydraulics

With AccuTouch™ electrohydraulic controls Load Sensing Hydraulics (LSH) delivers increased operational efficiency, offering a 15% reduction in fuel consumption on the VDI cycle, with no loss in productivity*. Variable displacement piston pumps match the flow rate and lifting speed continuously to the demands of the duty cycle. O-ring face seal fittings are used in all high pressure hydraulic connections. The engine therefore supplies only power to the hydraulic pumps when required, so more power is available for driving. With LSH Yale also offers an ECO-eLo (Fuel Efficiency) mode, reducing engine speed by 20% and optimising throttle response, so that the truck operates in the most economical power range. This results in a reduction in fuel consumption of a further 5%* but has a limited effect on overall truck productivity under application conditions. The ECO-eLo mode also delivers lower noise levels by up to 3dB(A). If a faster work rate, or higher productivity is required, the truck can easily be reprogrammed to HiP (High Performance) mode of operation through the dash display, with access secured by a unique customer password.

Autospeed Hydraulics

With Autospeed Hydraulics the engine speed is automatically increased to provide full hydraulic power. The Pacesetter VSM maintains the current travel speed (or prevents travel) until the operator steps on the accelerator. No operator inching is required and productivity and efficiency is increased by simplifying operator actions.

Cooling System

The cooling system employs a 43cm blade pusher type fan. A permanently lubricated water pump and a high capacity, cross-flow radiator ensures rapid heat dissipation. The sealed cooling system operates at 15psi, the coolant recovery tank allows visual inspection of coolant level. A transmission oil cooler is integrated into the radiator, located in the side tank. The optional combi-cooler radiator features an externally mounted transmission oil cooler for increased heat transfer capability. All radiators are soft mounted for durability.

Drive Axle

The drive axle is designed to withstand heavy duty applications and absorb shock loads. It is a "self-contained" assembly isolated from the transmission by a heavy-duty rubber isolator. The axle shafts utilize a "rolled fillet" root spline

design for increased resistance to torsion stress. A magnetic sump plug collects any metal particles circulating in the axle oil to prevent component wear.

Brakes

Brakes are duo-servo hydraulic, self-energizing, and automatic adjusting drum brake assemblies.

The Value and Productivity models have oil immersed brakes as standard. The single circuit master cylinder has a sealed fluid reservoir and features a fluid level sensor which activates an indicator light on the instrument panel.

Hydraulic Power Steering

Hydrostatic steering provides responsive control and eliminates mechanical linkages for reduced surface shock and simplified maintenance. The steering wheel is 30cm in diameter with a textured surface grip and spinner knob, and requires only four turns lock-to-lock. The centre mounted steer cylinder is located within the confines of the steer axle for protection.

Steer Axle

Constructed from cast steel, the steer axle is rubber shock mounted to the frame for reduced wear and vibration. The CSE (Continuous Stability Enhancement) system enhances lateral truck stability through reduced steer axle articulation, while simultaneously allowing uncompromised uneven surface travel.

Operator's Compartment

Base truck features cowl mounted hydraulic control levers as standard, positioned on the right side of the steering column. All models are available with AccuTouch™ mini-lever armrest, which features a contoured design, and - in addition to the hydraulic functions - features a horn and direction switch.

The Full Suspension Seat together with the isolated powertrain provide best in class Whole-Body Vibration levels of 0.6m/s², ensuring that the operator remains comfortable throughout the shift and fatigue, aches and pains are kept to a minimum. Automotive-style pedal arrangement with a large, single inch/brake pedal is standard.

Intellix Vehicle System Management (VSM)

VSM acts as a master truck controller, providing extensive monitoring and control of truck functions and systems. CANbus technology reduces wiring complexity and enables communications between truck systems. The dash display transmits continual feedback to the operator and allows communication of service codes. On-board diagnostics enable quick and easy troubleshooting. The electrical system features sealed connectors and Hall Effect sensors for superior dependability.

(*Yale Productivity Test Cycle: Load Sensing Hydraulics is available on trucks with AccuTouch™ mini-levers and the ECO-eLo function is available on trucks with Techtronix™ transmissions only).


NACCO Materials Handling Limited
trading as **Yale Europe Materials Handling**
Centennial House, Frimley Business Park,
Frimley, Surrey GU16 7SG, United Kingdom.
Tel: +44 (0) 1276 538500 Fax: +44 (0) 1276 538559


www.yale-forklifts.eu

Country of Registration: England. Company Registration Number: 02636775



Safety. This truck conforms to the current EU requirements. Specification is subject to change without notice.

Yale, VERACITOR and  are registered trademarks. "PEOPLE, PRODUCTS, PRODUCTIVITY", PREMIER, Hi-Vis, and CSS are trademarks in the United States and certain other jurisdictions. MATERIALS HANDLING CENTRAL and MATERIAL HANDLING CENTRAL are Service Marks in the United States and certain other jurisdictions.

 is a Registered Copyright. © Yale Europe Materials Handling 2014. All rights reserved.

Truck shown with optional equipment

Printed in The United Kingdom (0314HG) EN

Publication part no. 290000120 Rev.25